

# Service

This manual is to be used by qualified appliance technicians only. Maytag does not assume any responsibility for property damage or personal injury for improper service procedures done by an unqualified person.

## Neptune DC

This Base Manual covers general information  
Refer to individual Technical Sheet  
for information on specific models

This manual includes, but is  
not limited to the following:

**MCE8000AY**  
**MCG8000AW**

# Important Information

## Important Notices for Servicers and Consumers

Maytag will not be responsible for personal injury or property damage from improper service procedures. Pride and workmanship go into every product to provide our customers with quality products. It is possible, however, that during its lifetime a product may require service. Products should be serviced only by a qualified service technician who is familiar with the safety procedures required in the repair and who is equipped with the proper tools, parts, testing instruments and the appropriate service information. **IT IS THE TECHNICIANS RESPONSIBILITY TO REVIEW ALL APPROPRIATE SERVICE INFORMATION BEFORE BEGINNING REPAIRS.**

 <b>WARNING</b>
To avoid risk of severe personal injury or death, disconnect power before working/servicing on appliance to avoid electrical shock.

To locate an authorized servicer, please consult your telephone book or the dealer from whom you purchased this product. For further assistance, please contact:

### Customer Service Support Center

CAIR Center

<u>Web Site</u>	<u>Telephone Number</u>
WWW.AMANA.COM .....	1-800-843-0304
WWW.JENNAIR.COM .....	1-800-536-6247
WWW.MAYTAG.COM .....	1-800-688-9900
CAIR Center in Canada .....	1-800-688-2002
Amana Canada Product .....	1-866-587-2002

### Recognize Safety Symbols, Words, and Labels

 <b>DANGER</b>
---------------------------------------------------------------------------------------------------

**DANGER**—Immediate hazards which **WILL** result in severe personal injury or death.

 <b>WARNING</b>
----------------------------------------------------------------------------------------------------

**WARNING**—Hazards or unsafe practices which **COULD** result in severe personal injury or death.

 <b>CAUTION</b>
----------------------------------------------------------------------------------------------------

**CAUTION**—Hazards or unsafe practices which **COULD** result in minor personal injury, product or property damage.

# Table of Contents

Important Information .....	2	Logic Board Connectors .....	17
Important Safety Information .....	4	Relay Header Connections .....	18
General Information		Power And Relay Board Connectors .....	18
Model Identification .....	8	Disassembly Procedures	
Serial Label Location .....	8	Lower Door Reversal/Removal .....	19
Model Nomenclature .....	9	Door Hook Removal .....	19
Model Specifications .....	10	Shaker Removal .....	19
Troubleshooting Procedures		Console Removal .....	20
Trouble Shooting General Symptoms .....	11	Logic Board Removal .....	21
Read Sensor Inputs .....	12	Front Access Panel Removal .....	21
Membrane Keypad Utility .....	13	Tumbler Drum Removal .....	23
Upper/Lower Dryer Sub-System Check .....	13	Heater Assembly Removal .....	23
Accessing Diagnostic Codes .....	13	Relay Board Removal .....	24
Diagnostic Codes .....	14	Blower And Motor Removal .....	24
Reset to Factory Default Conditions .....	14	Water Valve Removal .....	25
Sensor Bar Diagnostics .....	15	Steamer Blower Removal .....	25
Consumer Codes .....	15	Steamer Heater Removal .....	26
View Cycle Statistics .....	15	Appendix A	
Membrane Pad Continuity Checks .....	16	Installation Instructions .....	28
		Appendix B	
		Use And Care .....	41

# Important Safety Information



## WARNING

To avoid risk of fire, electric shock, serious injury, or death when using your dryer, follow these basic precautions:

1. Read all instructions before using dryer.
2. Install dryer according to Installation Instructions. Refer to the Grounding Instructions in the Installation Instructions for proper grounding of the dryer.
3. Do not dry articles that have been cleaned in, washed in, soaked in, or spotted with gasoline, dry-cleaning solvents, or other flammable or explosive substances. Vapors could ignite or explode.
4. Do not use dryer to dry clothes which have traces of any flammable substance, such as vegetable oil, cooking oil, machine oil, flammable chemicals, thinner, etc., or anything containing wax or chemicals, such as mops and cleaning cloths. Flammable substances may cause fabric to catch fire by itself.
5. Do not store or use gasoline or other flammable vapors and liquids near this or any other appliance.
6. Do not allow children to play on or in dryer. Close supervision of children is necessary when dryer is used near children, a safety rule for all appliances.
7. Before dryer is removed from service or discarded, remove doors to drying compartment.
8. Do not reach into dryer if cylinder is revolving.
9. Do not install or store dryer where it will be exposed to water and/or weather.
10. Do not tamper with dryer controls.
11. Do not repair or replace any part of dryer or attempt any service, unless specifically recommended in user-maintenance instructions or in published user-repair instructions that you understand and have skills to carry out, if you are a consumer.
12. To reduce risk of electric shock or fire, do not use extension cords or adapters to connect dryer to electrical power source.
13. Use the dryer only for its intended purpose, drying clothes.
14. Always disconnect dryer from electrical supply before attempting any service. Disconnect power cord by grasping the plug, not the cord.
15. Do not use heat to dry articles containing foam rubber or similarly textured rubberlike materials.
16. Always clean the lint filter after every load. A layer of lint in the filter reduces drying efficiency and prolongs drying time.
17. Use only fabric softeners or products to eliminate static that are appropriate for automatic dryers.
18. Keep your dryer in good condition. Bumping or dropping dryer can damage safety features. If damage occurs, have dryer checked by qualified service technician.
19. Replace worn power cords and/or loose plugs.
20. Do not tumble fiberglass curtains and draperies unless the label says it can be done. If they are dried, wipe out the cylinder with a damp cloth to remove particles of fiberglass.
21. Always read and follow manufacturer's instructions on packages of laundry aids. Heed all warnings or precautions. To reduce risk of poisoning or chemical burns, keep products away from children at all times, preferably, in a locked cabinet.
22. Never operate dryer with guards and/or panels removed.
23. Do not operate dryer with missing or broken parts.
24. Do not bypass safety devices.
25. Keep area around the exhaust opening and adjacent surrounding areas free from accumulation of lint, dust, and dirt.
26. Interior of dryer and exhaust duct should be cleaned periodically by qualified service personnel.
27. Dryer will not operate with loading door open. DO NOT bypass door safety switch by permitting dryer to operate with door open. Dryer will stop tumbling when door is opened. Do not use dryer if it does not stop tumbling when door is opened or starts tumbling without pressing or turning the START mechanism. Remove the dryer from use and call the service person.
28. Remove laundry immediately after the dryer stops.
29. ALWAYS follow the fabric care instructions supplied by the garment manufacturer.

## Save These Instructions

# Important Safety Information

## **WARNING**

The California Safe Drinking Water and Toxic Enforcement Act of 1986 (Proposition 65) requires the Governor of California to publish a list of substances known to the State of California to cause cancer or reproductive harm and requires business to warn consumers of potential exposures to such substances.

Users of this appliance are hereby warned that the burning of gas can result in low-level exposure to some of the listed substances, including benzene, formaldehyde and soot, due primarily to the incomplete combustion of natural gas or liquid petroleum (LP) fuels. Exhaust ducts should be kept free of obstructions and properly exhausted dryers will minimize exposure.

## Electrical Service Information

### Electrical Dryers

- 240 VAC, 60 Hz, 30 Amps, 3-wire or 4-wire installations

### Gas Dryers

- 120 VAC, 60 Hz, 20 Amps, 3-wire installations

## About Ground Wires

In the event of an electrical short circuit, a ground wire reduces the risk of electric shock by providing an escape wire for the electric current.

Standard accepted color coding for ground wires is **green** or **green with a yellow stripe**.

Grounding wires and wires colored like grounding wires are **NOT** to be used as current carrying conductors.

## **WARNING**

To reduce the risk of fire, electric shock, serious injury or death, all wiring and grounding must conform with the latest edition of the National Electric Code, ANSI/NFPA 70, or the Canadian Electrical Code, CSA C22.1, and such local regulations as might apply. It is the customer's responsibility to have the wiring and fuses checked by a qualified electrician to make sure your home has adequate electrical power to operate the dryer.

## **WARNING**

**To avoid risk of personal injury or death due to electrical shock:**

- **Observe all local codes and ordinances.**
- Disconnect electrical power to unit before servicing.
- Ground appliance properly.
- Check with a qualified electrician if you are not sure this appliance is properly grounded.
- DO NOT ground to gas line.
- DO NOT ground to cold water pipe if pipe is interrupted by plastic, non-metallic gaskets, or other insulating (non-conducting) materials.
- DO NOT modify plug on power cord. If plug does not fit electrical outlet, have proper outlet installed by qualified electrician.
- DO NOT have a fuse in the neutral or ground circuit. A fuse in the neutral or ground circuit could result in an electrical shock.
- DO NOT use an extension cord with this appliance.
- DO NOT use an adapter plug with this appliance.
- DO NOT pinch power cord.

## Gas Connection Information

## **WARNING**

To avoid death, personal injury or property damage, from fire or explosion, information in this manual must be followed exactly.

Do not store or use gasoline or other flammable vapors and liquids in the vicinity of this or any other appliance.

### WHAT TO DO IF YOU SMELL GAS

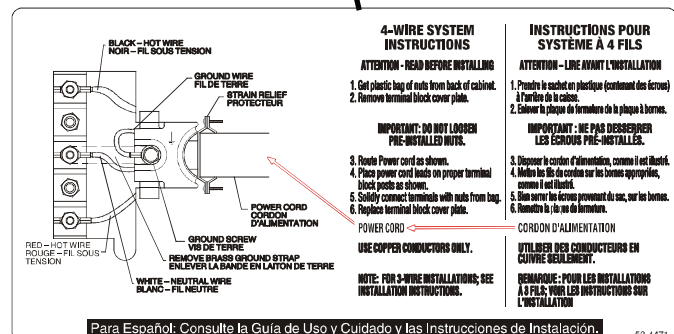
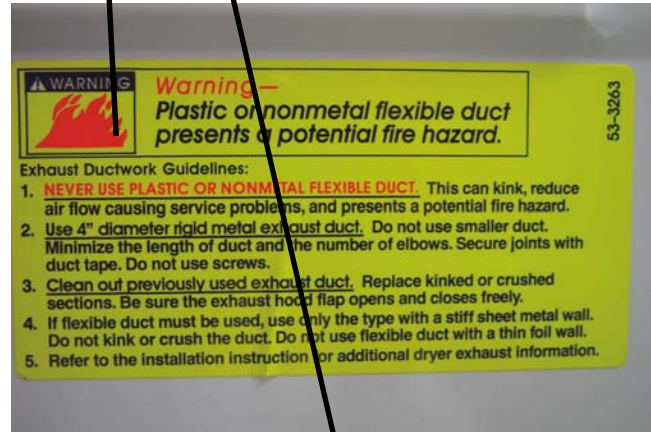
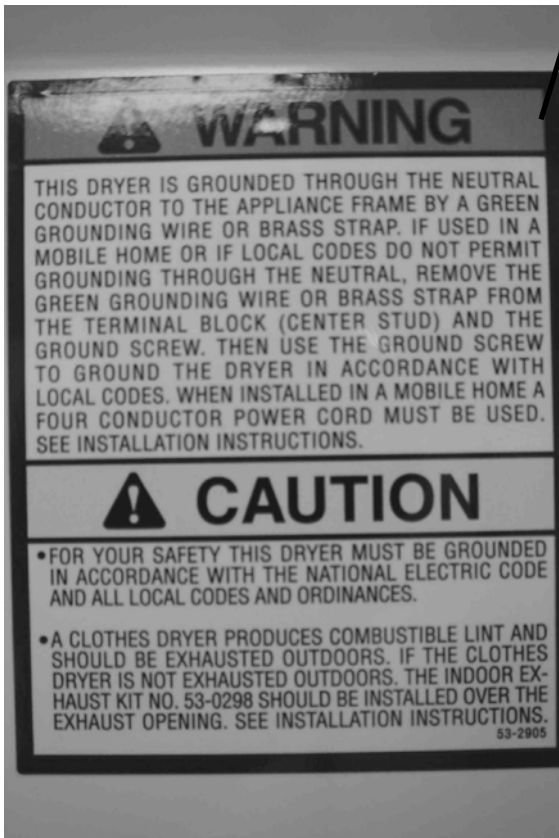
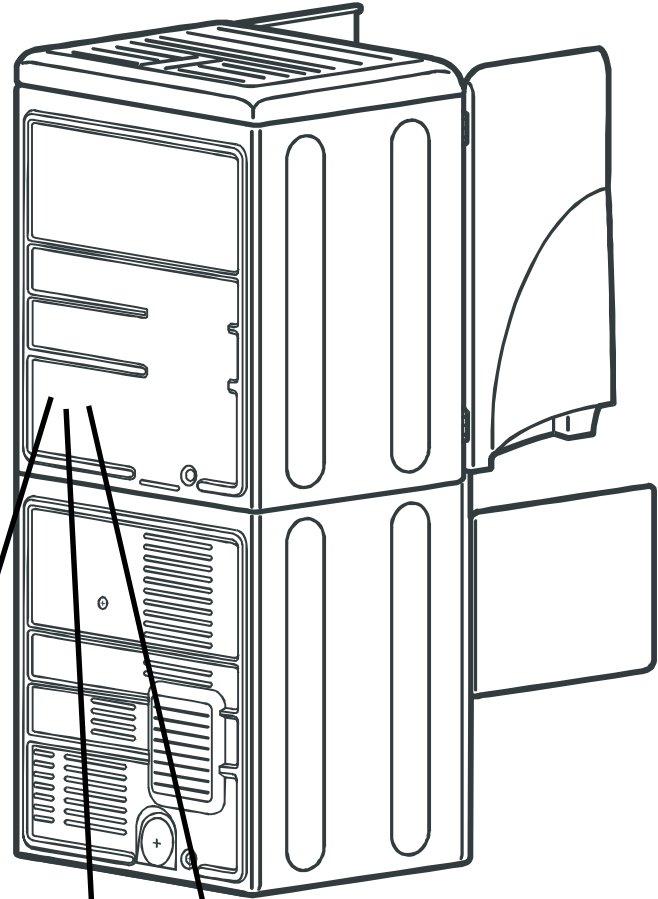
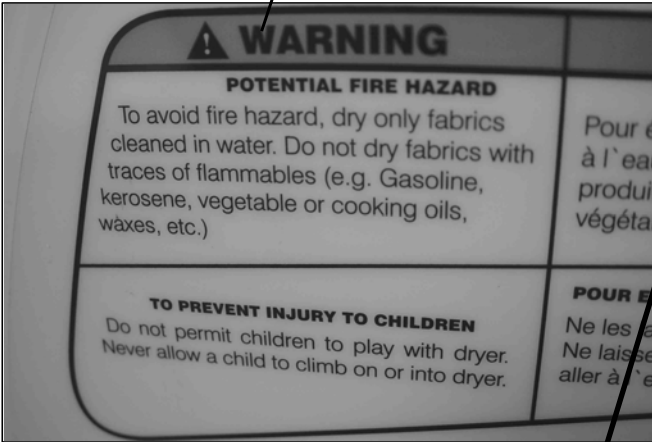
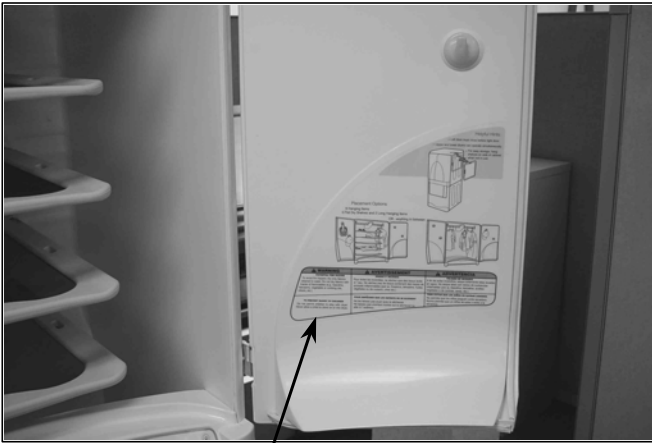
- Do not try to light any appliance.
- Do not touch any electrical switch; do not use any phone in your building.
- Immediately call your gas supplier from a neighbor's phone. Follow the gas supplier's instructions.
- If you cannot reach your gas supplier, call the fire department.

Installation and service must be performed by a qualified installer, service agency or the gas supplier.

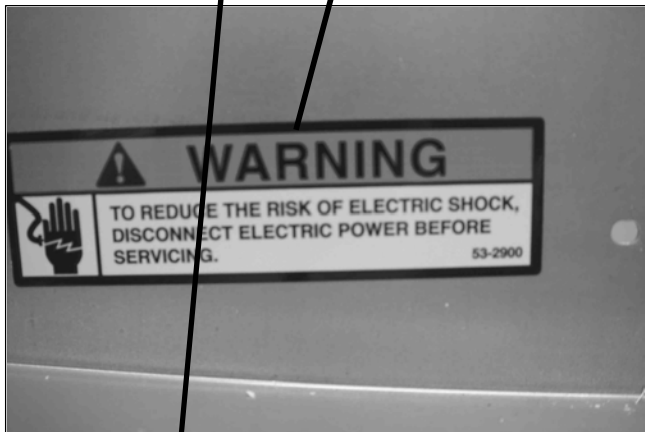
## **WARNING**

To reduce the risk of fire and exposure to combustion gases, the dryer **MUST** be exhausted to the outdoors. **DO NOT** exhaust dryer air into a window well, gas vent, chimney or enclosed, unventilated area, such as an attic, wall, ceiling, crawl space under a building or concealed space of a building.

# Important Safety Information



# Important Safety Information



## For proper operation at altitudes above 2,500 feet

The natural gas valve spud orifice size must be reduced to ensure complete combustion. See table.

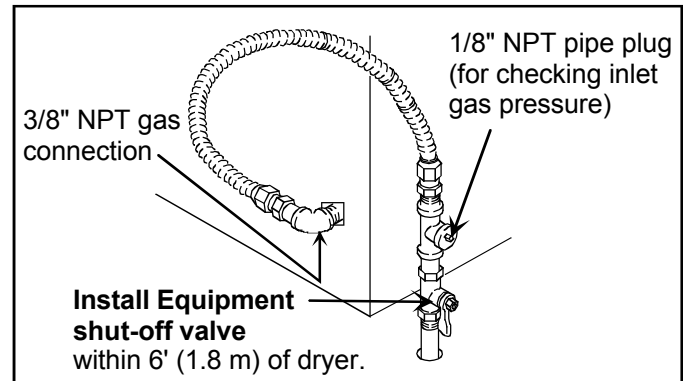
Altitude Ft (M)	Orifice Size #	Part number
3000 (915)	43	503778
6000 (1830)	44	58719
8000 (2440)	45	503779
9000 (2740)	46	503780
10000(3050)	47	503781

## Gas Connection

**Connect gas supply** to dryer using a new stainless steel flexible connector or hard pipe (check local codes) according to illustration. Test for leaks and check burner flame after gas supply is connected.

- Dryer must be connected to type of gas as shown on nameplate located in the door recess.
- Use pipe joint compound insoluble on LP (propane) Gas, or Teflon tape, on all pipe threads.
- Purge air and sediment from gas supply line before connecting it to the dryer. Before tightening the connection, purge remaining air from gas line to dryer until odor of gas is detected. This step is required to prevent gas valve contamination.

Use a new stainless steel flexible connector only if allowed by local codes (use A.G.A. certified connector).



### Black iron piping:

- Shorter than 20' (6.1 m) – use 3/8" piping
- Longer than 20' (6.1 m) – use 1/2" piping

## Testing for Gas Leaks

After final gas connection is made, turn on manual gas valve and test all connections in gas supply piping for gas leaks. Leak testing of the appliance shall be conducted according to the manufacturer's instructions.

1. Place soap suds on connections.
2. If bubbles appear, a leak is present. Shut off gas supply valve.
3. Tighten joint if leak is at factory fitting.
  - If leak is not at factory fitting, unscrew, apply more joint compound, and tighten to correct leak.

4. Retest connection for leak after tightening or adding joint compound.
  - Retest any connections that were disturbed.

### L.P./Propane

DO NOT connect dryer to L.P./Propane gas service without converting the gas valve. A Sales Accessory L.P./Propane Gas Conversion Kit 63-6766 must be installed.

## General Information

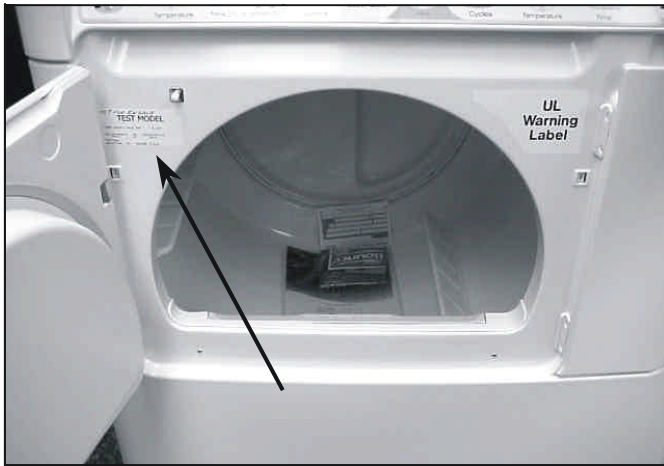
### Model Identification

Complete registration card and promptly return. If registration card is missing:

- For Maytag product call 1-800-688-9900 or visit the Web Site at [www.maytag.com](http://www.maytag.com)
- For product in Canada call 1-866-587-2002 or visit the Web Sites at [www.maytag.com](http://www.maytag.com) or [www.jennair.com](http://www.jennair.com)

When contacting provide product information located on rating plate. Record the following:

Model Number: \_\_\_\_\_  
 Manufacturing Number: \_\_\_\_\_  
 Serial or S/N Number: \_\_\_\_\_  
 Date of purchase: \_\_\_\_\_  
 Dealer's name and address: \_\_\_\_\_



Serial Label is located in the upper left hand corner of the lower door opening.

### Service

Keep a copy of sales receipt for future reference or in case warranty service is required. To locate an authorized servicer:

- For Maytag/Jenn-Air product call 1-800-462-9824 or visit the Web Site at [www.maytag.com](http://www.maytag.com) or [www.jennair.com](http://www.jennair.com)
  - For product in Canada call 1-866-587-2002 or visit the Web Sites at [www.maytag.com](http://www.maytag.com) or [www.jennair.com](http://www.jennair.com)
- Warranty service must be performed by an authorized servicer. We also recommend contacting an authorized servicer, if service is required after warranty expires.

### Parts and Accessories

Purchase replacement parts and accessories over the phone. To order accessories for your product call:

- For Maytag/Jenn-Air product call 1-800-462-9824 or visit the Web Site at [www.maytag.com](http://www.maytag.com) or [www.jennair.com](http://www.jennair.com)
- For product in Canada call 1-866-587-2002 or visit the Web Sites at [www.maytag.com](http://www.maytag.com) or [www.jennair.com](http://www.jennair.com)

### Extended Service Plan

We offer long-term service protection for this new oven.

- Dependability Plus<sup>SM</sup> Extended Service Plan is specially designed to supplement Maytag's strong warranty. This plan covers parts, labor, and travel charges.

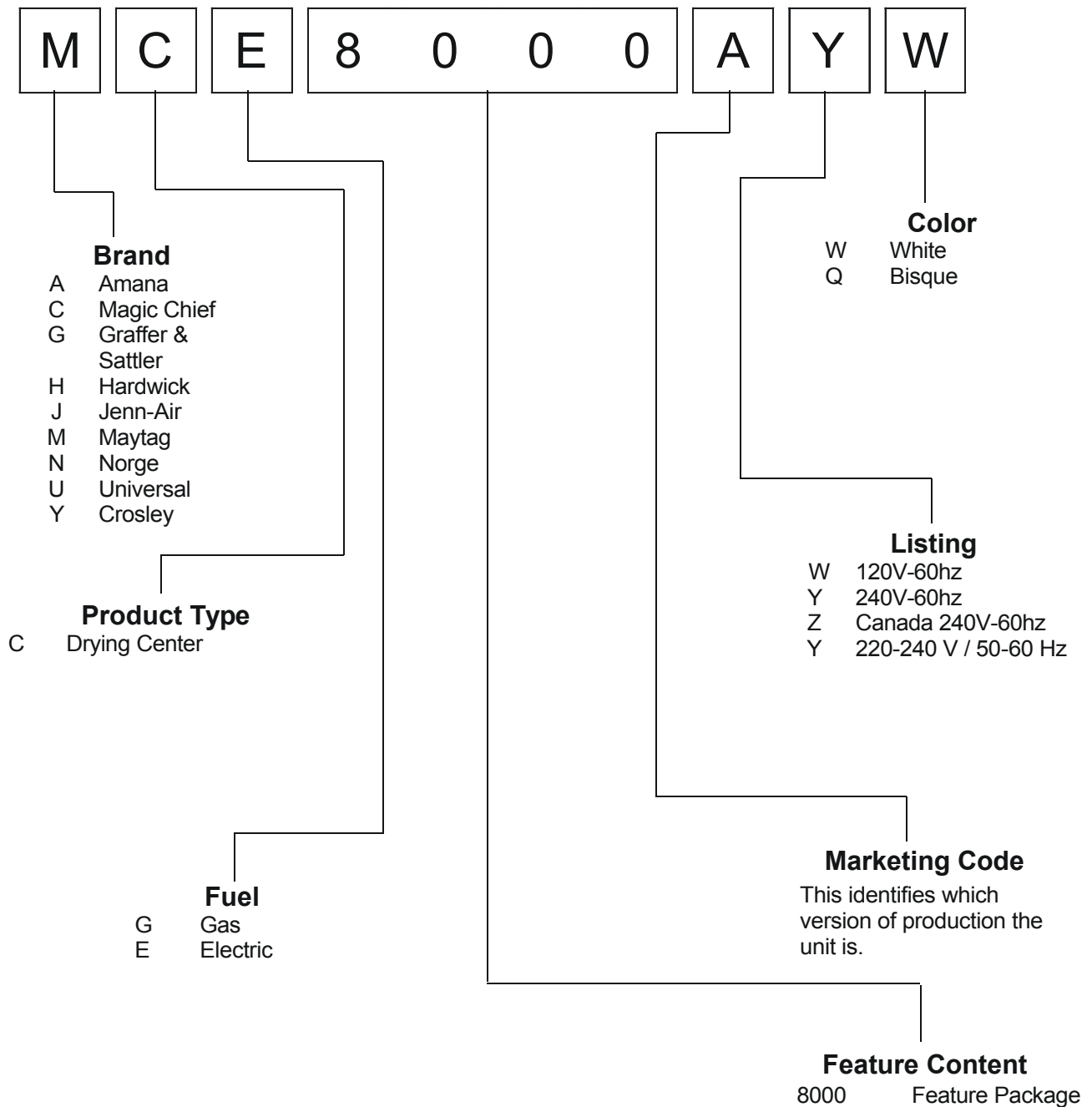
Call 1-800-925-2020 for information.



# General Information

## Drying Center Nomenclature

### Drying Center Nomenclature



# General Information

## UPPER DRYING CABINET

Capacity (cu. ft.)	17.3
Controls	LED
Drying System	BreezeCare™
C.F.M.	80
Cycles	2
Dry Wet Clothes	•
Refresh Dry Clothes	•
Options	3
Add Fragrance	•
Remove Odor	•
Winkle Release	•
Temperature Settings	2
Low	140° F
Extra Low	110° F
Interior Cabinet Light	•
ShapeSaver™ Hangers	•
Flat Dry Shelves	5
Steam Water Bottle	•
Adjustable Time	30 min. to 6 hrs.
End-Of-Cycle Signal	Adjustable
Time Remaining Indicator	•
Cycle Status Indicator	•
WinkleRelease™ Rod	Yes, with 9 slots
Dryer Sheet Caddy	•
Accessory Hooks	4
Sound Silencing Package	EQ Plus
Color Availability	W, Q

## LOWER TUMBLE DRYER

Capacity (cu. ft.)	7.0
Controls	LED
Drying System	GentleBreeze™
C.F.M.	170
Cycles	4
Sensor Dry	•
Time Dry	•
Air Fluff	•
Winkle Release	•
Options	2
Winkle Prevent	•
Damp Dry Signal	•
Temperature Settings	4
Regular	150° F
Medium	145° F
Low	140° F
Extra Low	125° F
Dryness Control	IntelliDry
Adjustable Dryness Level	4
Very Dry	•
More Dry	•
Normal Dry	•
Damp Dry	•
Interior Cabinet Light	•
End-Of-Cycle Signal	Adjustable
Time Remaining Indicator	•
Cycle Status Indicator	•
Drum Light	•
Reversible Door	Yes
DuraCushion Dryer Drum	•
Four Point Suspension	•

## MODEL MCE/G8000



### DRYING CENTER SPECIFICATIONS

Uncrated Dimensions: 33<sup>1</sup>/<sub>2</sub>"w x 29"d x 74"h

Crated Dimensions: 36.8"w x 31.3"d x 76.3"h

Uncrated Weight: 245 lbs.

Crated Weight: 260 lbs.

# Troubleshooting Procedures



## WARNING

To avoid risk of electrical shock, personal injury or death, disconnect power to unit before servicing, unless testing requires power.

## Troubleshooting Guide

### Maytag Neptune™ Drying Center

- Due to possibility of personal injury or property damage, always contact an authorized technician for servicing or repair of this unit.

#### **Will Not Run**

##### **Will not start or run:**

- All wires are hooked up to their corresponding terminals.
- Dryer is plugged in.
- Blown fuse or circuit breaker.
- Door switch functional...door closed.
- Poor connection between membrane switch and logic board, or faulty membrane switch. Use "Pd" utility to check function of membrane switch.
- Faulty motor relay, use diagnostic utilities to manually operate relay.
- Drive motor functional.
- Blown thermal fuse.

##### **Motor runs/ tumbler will not turn:**

- Belt off or broken/damaged.
- Idler tension spring too weak or stretched.
- Idler pulley jammed or stuck.

##### **Runs a few minutes and then stops:**

- Lint buildup around drive motor.
- Low voltage present.
- Blower impeller blocked in blower housing.
- Drive motor - start switch contacts stuck closed.

##### **Blows fuses or trips circuit breaker:**

###### **Electric Models**

- The amperage readings are at 240 volts. One line with 24 amps, and the other line with 21 amps. The neutral line will be at 3 amps. If the above amperages are present, then the house wiring, fuse box or circuit breaker should be suspected.
- Shorted heating element to housing.
- Incorrect wiring or a wire shorting to ground.
- Drive motor winding shorting to ground.

###### **Gas Models**

- During ignition the dryer will draw 7 amps. With the burner ON, the dryer will draw 3 amps. If the dryer is drawing amperages above this, then the house wiring, fuse box or circuit breaker is suspected to be at fault.
- Igniter harness loose and shorted to base.
- Incorrect wiring or wire shorted to ground.
- Open centrifugal switch in motor
- Drive motor winding shorting to ground.

##### **Will Not Dry**

##### **Will not heat (motor runs):**

- Open heating element.
- Hi-Limit trips easily or is open.
- Faulty Thermistor.

- Faulty Heater Relays.
- Drive motor centrifugal start switch not allowing voltage to gas valve or heating element.

##### **Will Not Dry (Gas Models)**

###### **Poor Gas Ignition**

When the dryer is operated on a heat setting, the igniter should be energized and burner shall fire within 45 seconds at 120 VAC. The failure of a component in this system will usually be indicated by one of three symptoms:

**The igniter does not glow.** If the igniter does not heat up, remove power and using an ohmmeter, check the following:

- Open flame sensor
- Open igniter
- Shorted booster coil
- Open wiring

**Igniter glows - No gas ignition.** If the igniter heats up but the main burner flame is not ignited, remove power and using an ohmmeter, check the following:

- Open secondary coil
- Open holding coil
- Open wire harness

**The gas is ignited but the flame goes out.** If a normal ignition takes place and after a short while the flame goes out, check for the following:

- Radiant sensor contacts opening prematurely.
- Weak gas valve coil may open when stressed by higher temperatures.

##### **Improper drying/clothes wrinkled/ rough texture/long dry time:**

- Lint filter is not clean.
- Restriction in exhaust.
- Outside exhaust hood damper door stuck closed.
- Exhaust too long, too many elbows, flex ductwork installed.
- Poor makeup air available for the dryer.
- Incorrect tumbler speed. Tumbler belt slipping.
- Blower impeller bound; check for foreign material in blower area.
- Customer overloading dryer.
- Check clothing labels for fabric content and cycle selected.
- Gas valve coil opens - weak point in coil opens when stressed under heated conditions.

# Troubleshooting Procedures



## WARNING

To avoid risk of electrical shock, personal injury or death, disconnect power to unit before servicing, unless testing requires power.

- Clothes too wet due to insufficient spin out by washer.
- Faulty Sensor Bar. See Sensor Bar diagnostic section.

**Note:** Pressing the **Off** button exits the Diagnostic State and places the control board in the Sleep State.

### Troubleshooting the Sensor-Dry circuit:

- Check for incorrect wiring of the electrical connector at the electronic control board. Dryer runs for 2 minutes, jumps to a 1-minute cool down and then stops. Open Sensor Dry circuit. Check Sensor Bar. Refer to Sensor Bar Diagnostics section.
- Dryer does not shut off. Check sensor for continuity. If found, replace sensor bar or clean with alcohol. Some fabric softener sheets will coat the sensor bars.

### Noisy and/Or Vibration

- **Thumping.** Check for loose tumbler baffle, rear tumbler roller(s) worn or misaligned, out-of-round tumbler or high weld seam on tumbler.
- **Ticking.** Check for loose wire harness or object caught in blower wheel area.
- **Scraping.** Check for front or rear bulkhead felt seal out of position or worn tumbler front bearings.
- **Roaring -** Check for blower wheel rubbing on blower housing or bad motor bearings.
- **Popping or squealing sound.** Check for a sticky or frayed belt.

### System Check Mode

The Diagnostic State provides a set of utilities not intended for use by the consumer. Diagnostic State utilities provide specialized functions for performance evaluation and service. Upon recovery from a power failure, the Drying Cabinet always returns to the Normal-program State. Any Diagnostic State utility active prior to the power failure is effectively cancelled.

To enter the Diagnostic State from the Normal Program State on the upper or lower dryer half of the keypad, press the **Signal (+)** button and **Time Adjust ^** simultaneously for five (5) seconds. Upon entry to the Diagnostic State, the corresponding 7-segment display shows "**dd**". Attempts to enter the Diagnostic State while a dryer cycle is active causes the invalid selection chime to sound.

After 10 minutes of inactivity the diagnostic state will be canceled, and the machine will return to normal operation. To exit the Diagnostic State, press the **Signal (-)** button.

Either half of the keypad may be used to request the Diagnostic State. Once initiated, all key entries must be made from the same half of the keypad. The LED indicators and 7-segment displays on the remaining half of the keypad are extinguished. Any key presses to the unused portion of the keypad are ignored and sound the invalid selection chime.

### Diagnostic State Menu

Enter a menu item by using the **Time Adjust ^** or **v** arrows to see the letter code desired and press **Signal (+)**.

**NOTE:** \* indicates a submenu with further explanation given below.

Menu	Description
dd	Beginning of Diagnostic State Menu
cc	Factory Use Only
cd	Clear Diagnostic Codes
ch	Clear Help Codes
*****cS	View Cycle Counts
****dL	View Diagnostic Code List
FS	Factory Use Only
hL	View Help Code List
Lo	Logic Board Output Self-test (Display will show " <b>PASS</b> " " <b>PASS</b> " or " <b>FAIL</b> " " <b>FAIL</b> ")
pc	Factory Use Only
*Pd	Membrane Key Pad Utility
**rd	Read Sensor Inputs
***Sc	Sub-system Check
SF	Software Version
rS	Reset to Factory Default Conditions

### rd\*\*Read Sensor Inputs

This utility allows the user to enable or disable the display of sensor input values. Once enabled, the user exits the Diagnostic State and the 7-segment display used to make the selection alternates between the sensor value and the time remaining. All other features operate as normal. It is not necessary to start a cycle for the sensor value to begin displaying. The user may display lower dryer values on the upper dryer half of the keypad with the converse also allowed.

After exiting the Diagnostic State with the sensor display function enabled, the 7-segment display continuously cycles through a 4-step sequence. Each step lasts 1.5 seconds. The sequence consists of the following:

"n=" appears to indicate that the next value is the time remaining. The time remaining value appears on the display.

"xx=" appears to indicate that the next value is from the selected sensor. Where "xx.xx" is the item selected from the sensor display menu. The sensor value appears on

# Troubleshooting Procedures



## WARNING

To avoid risk of electrical shock, personal injury or death, disconnect power to unit before servicing, unless testing requires power.

Example:

- 1) To read measured temperature, scroll to “rd” on the menu and press **Signal (+)**.
- 2) Upon entry to the utility, “OFF” appears on the display.
- 3) Using the **Time Adjust v** arrow button scroll to “Ld” menu item from the Table.

Note: To exit the utility before running a test, press **Signal (-)**. The display will show “rd”. To exit diagnostics press, **Signal (-)** again. The display will show “dd”.

- 4) Press **Signal (-)** twice to initiate the menu item.
- 5) Time and Temperature are displayed.
- 6) Press “OFF” to exit the test.

### Sensor Display Menu

Menu	Description	Displayed Value
OFF	Sensor display disabled	NA
Ld	Lower Dryer Outlet Temperature	Degrees Fahrenheit
Ud	Upper Dryer Outlet Temperature	Degrees Fahrenheit
uS	Upper Dryer Door Switch	On or OFF (On = door open)
LE	Lower Dryer Heater Energized	On or OFF (On = energized)
LS	Lower Dryer Door Switch	On or OFF (On = door closed)
*****db	Lower Dryer Sensor Bar	On or OFF (On = hit detected)
SP	Spare Thermistor Input	Degrees Fahrenheit

### Pd\*Membrane Keypad Utility

To select the Membrane Keypad utility, scroll to “Pd” on the menu and press **Signal (+)**.

Upon entry to the utility, all LED indicators and 7-segment display LED elements illuminate. Pressing each key extinguishes one or more of the keypad indicators or 7-segment display LED elements. All the keys must function properly to extinguish all the LED elements. The LED extinguished may not be adjacent to the keypad pressed. Do not press **Signal (-)** or you will exit the utility.

To exit the utility and return to the menu, press **Signal (-)**. Upon return to the Main Menu, “Pd”. To check Membrane Pad with ohm meter see chart.

### SC\*\*\*Upper and Lower Dryer Sub-system Check Utilities

To view the Sub-system Check Utility menu, scroll to “Sc” on the main menu and press **Signal (+)**.

To exit the Sub-system Check Utility Menu and return to the Main Menu, press **Signal (-)** at any of the menu items. Upon return to the Main Menu, “Sc” appears on the display.

Upon entry to the Sub-system Check Utility Menu, “SU” appears on the display.

### Sub System Check Menu

Menu	Description
Su	Beginning of Menu
bo	Operate Upper Dryer Blower Motor
Fd	Operate Lower Dryer Motor
hr	Operate Upper Dryer Heater and Blower (Temp displayed opposite side)
hh	Operate Lower Heater and Blower at High Wattage (Temp displayed opposite side)
hL	Operate Lower Heater and Blower at Low Wattage (Temp displayed opposite side)
So	Operate Upper Dryer Shaker Motor
ho	Operate Upper Dryer Blower, Heater and Water Valve
d1	Unused
d2	Operate Wax Motor for Upper Dryer Damper

### Diagnostic Codes:

The diagnostic/help code information displayed provides information about the machine. Any abnormalities monitored by the board will be identified as either a Help or Diagnostic code. Diagnostic Codes will be logged and stored in permanent memory (maximum nine in the list). A Diagnostic Code is logged when there is a problem with the system. It may be recommended the machine be serviced.

Software checks for open or shorted thermistors and door switch failures only during active cycles. Software continuously checks for stuck button conditions. “Stuck Button” fault detection uses the lower dryer cycle count when logging a diagnostic code. Fault detection logs a code once after initially detecting a fault. A fault must clear before logging additional occurrences.

### dL\*\*\*\*Accessing Diagnostic Codes

To view the Diagnostic Codes List, scroll to “dL” on the menu and press **Signal (+)**. Upon entry to the utility, “SOL” appears on the display indicating start of list. Use the **Time Adjust ^** (up arrow) and **Time Adjust v** (down arrow) buttons to step through the list. The display shows “End” after the last entry in the list is reached. Attempts to step past the beginning or end of the list cause the invalid selection chime to sound.

**cd** To select the Clear Diagnostic Codes utility, scroll to “cd” on the menu and press **Signal (+)**.

Upon entry to the utility, “cL” appears on the display. Press **Signal (+)** again to clear all Diagnostic Codes for both the upper and lower dryer. The message “AC” appears on the display to indicate All Clear after the clear function completes.

To exit the utility and return to the menu, press **Signal (-)**. Upon return to the Main Menu, “cd” appears on the display.

# Troubleshooting Procedures



## WARNING

To avoid risk of electrical shock, personal injury or death, disconnect power to unit before servicing, unless testing requires power.

### Diagnostic Codes

#### RS Reset to Factory Default Conditions

Code	Description	Trigger	Action Taken
SOL	Start of list		
1	Lower Dryer Thermistor Short Sensed	If temperature > 200 degrees for 2 minutes.	<u>Check for:</u> - Clogged lint screen. - Restricted vent system. Failed thermistor
2	Lower Dryer Thermistor Open Sensed	If the temperature is low with an increase of temperature expected, and no increase occurring after 3 minutes.	<u>Check for:</u> - Low ambient temperature in room (Below 50°F/10°C). - Outside vent damper is stuck open in wintertime. Loose or open wire terminals
3	Lower Dryer Door Circuit Failure	Low for more than 1 second.	<u>Check for:</u> - Loose or open wire terminals in Door Sense circuit.
4	Not Used		
5	Not Used		
6	Non Volatile Memory	Problem Detected with integrity of parameters stored in EEPROM memory.	Disregard
8	Stuck Button	A button sensed as pressed more than 75 seconds, is assumed as stuck.	<u>Check for:</u> - Run membrane pad check and replace console w/membrane pad if necessary..
9	Not Used		
10	Not Used		
11	Upper Dryer Thermistor Short Sensed	If temperature > 200 degrees for 2 minutes.	<u>Check for:</u> - Failed hi-limit thermostat on steamer. - Failed thermal fuse on heater. Failed thermistor
12	Upper Dryer Thermistor Open Sensed	If the temperature is low with an increase of temperature expected, and no increase occurring after 3 minutes.	<u>Check for:</u> - Low ambient temperature in room (Below 50°F/10°C). - Check door vent seals. Loose or open wire terminals on steamer circuit.
13	Upper Dryer Door Circuit Failure	Low for more than 1 second.	<u>Check for:</u> - Loose or open wire terminals

To restore Factory Default settings for the dryer controls, complete the following sequence within one (1) minute.

- Step 1 From the Normal Program State, press the **Signal (+)** button and **Time Adjust ▲** to enter the Diagnostic State from the upper or lower dryer keypad.
- Step 2 Scroll to the "rS" display on the menu and press **Signal (+)**. The number "004" appears on the display to indicate the number of remaining steps needed to complete the reset sequence.
- Step 3 **Open** and leave open the **Lower Dryer Door**. The remaining step count decrements to "003" on the display.
- Step 4 Press the **Time Adjust ▲** and **Time Adjust ▼** at the same time. The remaining step count decrements to "002" on the display.
- Step 5 Press the **Temperature ▲** and **Time Adjust ▼** at the same time. The remaining step count decrements to "001" on the display.
- Step 6 **Close** the **Lower Dryer Door**. The remaining step count decrements to "000" once the Factory Default settings have been restored. The "Power On Reset" sequence then executes.

The remaining step count resets to four and the invalid selection chime sounds when any of the following conditions occur:

- A reset step is performed out of sequence.
- An unexpected key combination is entered.

The time window expires.

Opening the door to complete the first step marks the beginning of the time window.

This function does **not** clear either of the upper or lower dryer cycle counters. All other parameters stored in non-volatile memory are returned to the Factory Default values.

The Reset Utility functions the same regardless of which half of the keypad it is initiated from. Once the utility is initiated, all key combinations must be made from the same half of the keypad used to initiate the utility.

The **Signal (-)** key exits the Reset Utility and returns to the "rS" display on the main menu. Pressing the **Signal (-)** key any time prior to completion of the reset sequence cancels the sequence and then returns to the main menu.

# Troubleshooting Procedures



## WARNING

To avoid risk of electrical shock, personal injury or death, disconnect power to unit before servicing, unless testing requires power.

### db\*\*\*\*\*Sensor Bar Diagnostics

#### Enter The Diagnostic Utilities Menu

- 1) The controls will not enter the Diagnostic State if a cycle is active or paused for either dryer. Push the **Off** key to cancel an active or paused dryer cycle. Push **Time Up-arrow** and **Signal (+)** for 5 seconds. “**dd**” appears in the display.
- 2) Use **Time Up-arrow** and **Time Down-arrow** to scroll through the utility menu.
- 3) Scroll to “**rd**” and push **Signal (+)** to enter the sensor display menu. “**OFF**” appears on the display to indicate an input sensor has not been selected yet for the Read Sensor Display Function.
- 4) Use **Time Up-arrow** and **Time Down-arrow** to scroll through the input sensor menu.
- 5) Scroll to “**db**” to select the Dryness Bar input for display.
- 6) With “**db**” shown on the display, exit the input sensor menu by pushing **Signal (-)**. “**rd**” appears in the display.
- 7) Push **Signal (-)** again to exit the diagnostic utility menu and view the sensor bar status.
- 8) The Display cycles “**n=x:xx**”, then “**db = On**” with a short across the dryness bars or “**db = OFF**” with an open circuit between the dryness bars.
- 9) The dryer may be operated as normal with the Read Sensor Display active. The “**n=x:xx**” portion of the alternating display is the normal time remaining value for the dryer display.
- 10) The display shows “**db = On**” when damp clothing makes contact with the sensor bars.
- 11) Either half of the membrane switch may be used to display any input with the Read Sensor Display Function. The half of the membrane switch used to enable the Read Sensor Display function also determines where the sensor display appears.

#### Cancel the Read Sensor Display Function

- 1) Push the **Off** key for the upper dryer to place the upper dryer controls in the Sleep State. The Sleep State extinguishes all the LED indicators and numerical displays.
- 2) Push the **Off** key for the lower dryer to place the lower dryer controls in the Sleep State.
- 3) Placing both upper and lower dryer controls in the Sleep State cancels the Read Sensor Display Function.

#### Codes Visible To The Consumer.

The following help codes could appear on the display and may need further investigation.

- 1) “**PF**” A power failure occurred during an active or paused cycle. Consumer may push the "Start/Pause" key to resume the interrupted cycle or push the "Off" key to cancel the interrupted cycle and start over with a new cycle.

- 2) “**HP**” The thermistor reading is out of range and the dryer cycle is interrupted. Consumer may push the "Off" Key and attempt to run the cycle again. If the condition persists, a service technician should check for a thermistor malfunction or a wiring problem with the thermistor circuit. **Service Technician** view the Diagnostic Codes and look for code 1 or 2. See Diagnostic Codes chart.
- 3) “**h1**” A temperature increase has not been detected on the lower dryer and the dryer advances to Cool-down. Consumer may check for a blocked vent. **Service Technician** check for heater not functioning, blocked vent, cool air leaking into drum, poor seal between drum and blower, bad connection on igniter sense signal to control board, thermistor malfunction.
- 4) “**h11**” A shaker assembly neutral fault has been detected. Shaker relay is de-energized and the cycle continues as normal without the shaker. **Service Technician** check for a bad connection in neutral circuit to the shaker assembly.



“**Wrinkle Prevent**” This is not a fault code but a normal operation signal. During the Wrinkle Prevent phase of the cycle, the output animation shows 1 segment moving around the perimeter of the display. During the continuous tumble portion of Wrinkle Prevent, the animation is constant. After 20 minutes of continuous tumble, the Wrinkle Prevent intermittent phase begins where the dryer tumbles for 10 seconds out of every 5-minute interval. During this phase the display shows the segment moving, and stopping momentarily. This pattern continues until the Wrinkle Prevent phase ends.

### CS\*\*\*\*\*View Cycle Statistics

To view the Cycle Statistics scroll to “**CS**” the menu and press **Signal (+)**.

Upon entry to the utility “**cu**” appears indicating beginning of menu. Scroll to the menu item you want to view by pressing **Time Adjust ^** or **Time Adjust v**. Enter a menu item by pressing **Signal (+)**.

#### Cycle Statistics Menu

Menu	Description
cu	Beginning of Menu
Lc	Lower Dryer Cycle Count
Lh	Lower Dryer Cycle Hours
Uc	Upper Dryer Cycle Count
Uh	Upper Dryer Cycle Hours



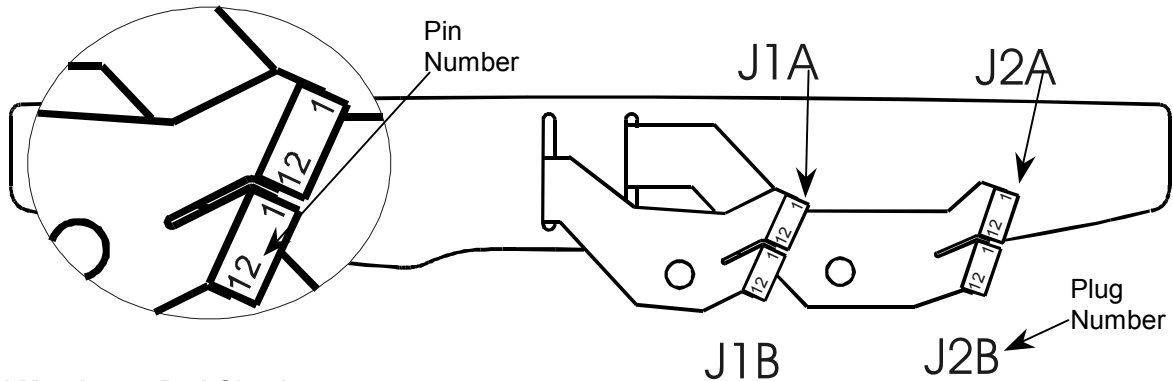
# Troubleshooting Procedures

## ⚠ WARNING

To avoid risk of electrical shock, personal injury or death, disconnect power to unit before servicing, unless testing requires power.

### Membrane Pad Continuity Checks

Membrane shown with console tipped forward for service.



### Manual Membrane Pad Check

**NOTE:** Unplug connector and touch probe of meter to the appropriate pin numbers. Meter will show infinity on open keys and 500 ohms or less on closed keys.

Location	Description	Plug Number	Pin Number
Upper Dryer Cycle Selection	Dry Wet Clothes	J2B	7,10
Upper Dryer Cycle Selection	Refresh Dry Clothes	J2B	5,10
Upper Dryer Temp. Selection	Up Arrow	J2B	7,9
Upper Dryer Adjust Drying Time	Increase Time	J2B	8,12
Upper Dryer Adjust Drying Time	Decrease Time	J2B	7,12
Upper Dryer Options	Wrinkle Release	J2B	7,11
Upper Dryer Options	Remove Odor	J2B	6,11
Upper Dryer Options	Add Fragrance	J2B	5,11
Upper Dryer Commands	Start/Pause	J2B	6,12
Upper Dryer Commands	Off	J2B	5,12
Lower Dryer Cycle Selection	Sensor Dry	J1B	5,12
Lower Dryer Cycle Selection	Time Dry	J1B	6,12
Lower Dryer Cycle Selection	Wrinkle Release	J1B	7,12
Lower Dryer Cycle Selection	Air Fluff	J1B	8,12
Lower Dryer Temp. Selection	Up Arrow	J1B	7,9
Lower Dryer Adjust Drying Time	Up Arrow	J1B	5,9
Lower Dryer Adjust Drying Time	Down Arrow	J1B	6,9
Lower Dryer Options	Wrinkle Prevent	J1B	5,10
Lower Dryer Options	Damp Dry Signal	J1B	6,10
Lower Dryer Commands	Start/Pause	J1B	5,11
Lower Dryer Commands	Off	J1B	6,11
Audible Signal Volume	Decrease Volume	J1B	8,11
Audible Signal Volume	Increase Volume	J1B	7,11



# Troubleshooting Procedures



## WARNING

To avoid risk of electrical shock, personal injury or death, disconnect power to unit before servicing, unless testing requires power.

### Logic Board Connectors

Connector Name	Pin Number	Description	Voltage	Comment/ Connector Part Number
J1A	1-12	Left Keypad connector A	12 VDC	
J1B	1-12	Left Keypad connector B	12 VDC	
J2A	1-12	Right Keypad connector A	12 VDC	
J2B	1-12	Right Keypad connector B	12 VDC	
J3	1	Lower dryer thermistor	5 VDC	
	2	Lower dryer thermistor	5 VDC	
	3	Lower dryer moisture sensor	24 VDC	
	4	Lower dryer moisture sensor	24 VDC	
	5	Spare thermistor source	5 VDC	
	6	Spare thermistor return	5 VDC	
	7	Upper exhaust air thermistor	5 VDC	
	8	Upper exhaust air thermistor	5 VDC	
J4	1	L1 to upper door switch	120 VAC	
	2	Upper door switch to Lamp	120 VAC	
	3	Chassis ground to logic board	Ground	
J6A	1	12 VDC power	12 VDC	DC connections to Power & Relay Board.
	2	Power Supply Common	Common	
	3	24 VDC power	24 VDC	
	4	To shaker motor relay coil	12 VDC	
	5	To upper blower motor relay coil	12 VDC	
	6	To upper heater relay coil	12 VDC	
	7	To water valve relay coil	12 VDC	
	8	To spare relay coil	12 VDC	
	9	To upper exhaust damper relay coil	12 VDC	
	10	To lower heater cycling relay coil	12 VDC	
	11	To lower heater center-tap relay coil	12 VDC	
	12	To lower dryer motor relay coil	12 VDC	
J10	1	VCC from logic board	5 VDC	
	2	Serial transmit signal	5 VDC	
	3	Serial receive signal	5 VDC	
	4	Serial signal common	DC GND	
J10A	1	DC common	DC GND	
	2	Reset Signal	5 VDC	
	3	Serial transmit signal for logic board	5 VDC	
	4	VCC from logic board	5 VDC	
	5	Serial receive signal for logic board	5 VDC	
	6	VPP from programmer box		
J11A	1	L1 for use on logic board	120 VAC	120 VAC connections to power & relay board.
	2	Upper door switch power to lamp	120 VAC	
	3	Lower door switch signal	120 VAC	
	4	Gas igniter sense signal	120 VAC	
	5	Neutral for switched 120 VAC signals	120 VACN	

# Troubleshooting Procedures



## WARNING

To avoid risk of electrical shock, personal injury or death, disconnect power to unit before servicing, unless testing requires power.

### Relay Header Connections

Relay Name	Connector Name	Description	Voltage
K9	NO	L1 to relay	120 VAC
	COM	L1 to lower dryer motor	120 VAC
K8	NO	L1 to relay	240 VAC
	COM	L1 to lower dryer heater center tap	240 VAC
K7	NO	L1 to relay	240 VAC
	COM	L1 to lower dryer	240 VAC

### Power and Relay Board Connectors

Connector Name	Pin Number	Description	Voltage
J5	1	L1 to shaker motor	120 VAC
	2	L1 to upper cabinet lamp	120 VAC
	3	Neutral to shaker & lamp assembly	120 VACN
	4	Unassigned	
J6B	1-12	See J6A in Logic Board Connectors Table	5 & 12 VDC
J7	1	Neutral to Power & Relay Board	120 VACN
	2	L2 to Power & Relay Board	120 VAC
	3	Gas Igniter Sense	120 VAC
	4	Lower Door Switch	120 VAC
	5	L1 to Power & Relay Board	120 VAC
J9	1	Relay to upper blower motor	120 VAC
	2	Unassigned	
	3	Unassigned	
	4	Unassigned	
	5	Relay connects upper heater to L2	120 VAC
	6	Relay to upper dryer damper	120 VAC
	7	Spare relay output	120 VAC
	8	Relay to water valve	120 VAC
	9	Unassigned	
	10	Relay connects upper heater to L2	120 VAC
J11B	1-5	See J11A in Logic Board Connectors table (Pin #3 is not used).	120 VAC

**Note:** VACN is the neutral wire of a 120V supply.

# Disassembly Procedures

 **WARNING**

To avoid risk of electrical shock, personal injury or death; disconnect power to unit before servicing.

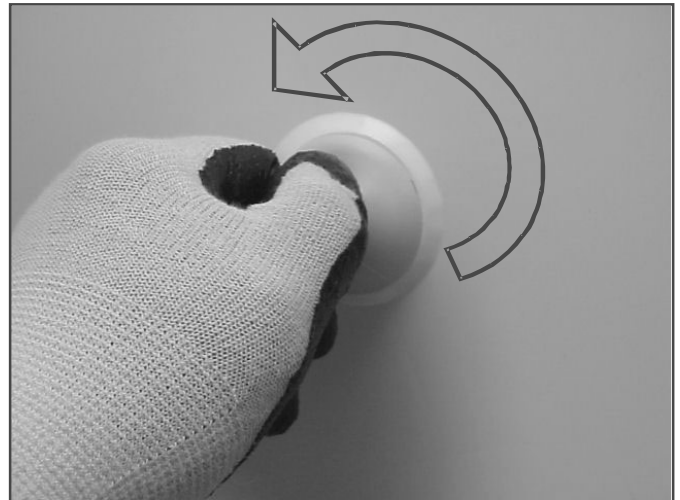
## Lower Door Reversal/Removal

1. Disconnect power supply to unit.
2. Remove 4 door screws and 4 cover screws from side opposite hinges.
3. Remove hinges from door and cabinet and install them on desired side.
4. Install filler screws and covers.
5. Move door strike and catch to opposite side.



## Door Hook Removal

1. Rotate hooks 1/4 turn counterclockwise to remove



## Shaker Removal

1. Disconnect power supply to unit.
2. Disconnect wiring harness.



## Disassembly Procedures



**WARNING**

To avoid risk of electrical shock, personal injury or death; disconnect power to unit before servicing.

3. Unhook left and right side hanger from Shaker.



4. Remove center hanger, and remove assembly.



5. Slide Shaker Hangers through the top of the cabinet. The angled edge faces the front of the unit.



### Console Removal

1. Disconnect power supply to unit.
2. Remove the 4 screws located in the drying cabinet securing the console from behind, one on each side and two in the middle.

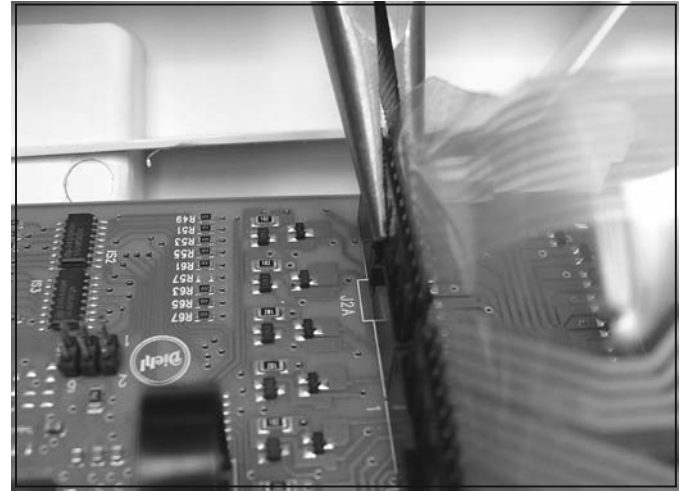
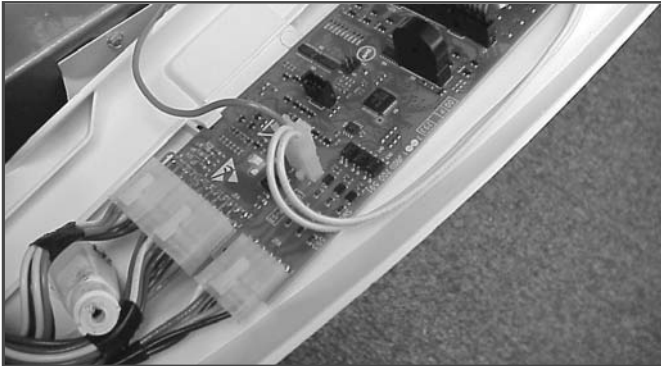


# Disassembly Procedures

 **WARNING**

To avoid risk of electrical shock, personal injury or death; disconnect power to unit before servicing.

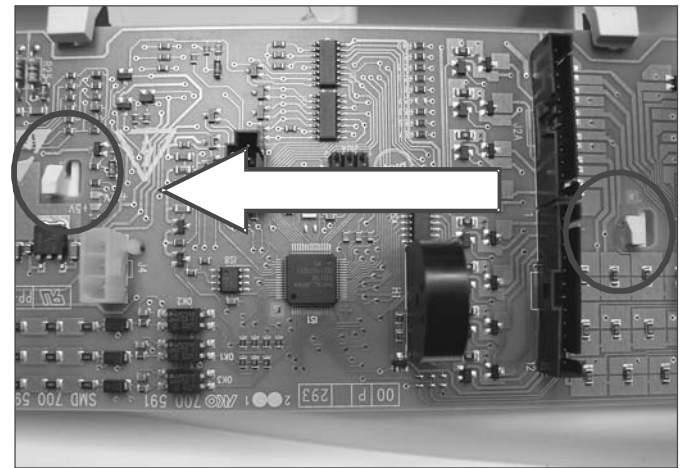
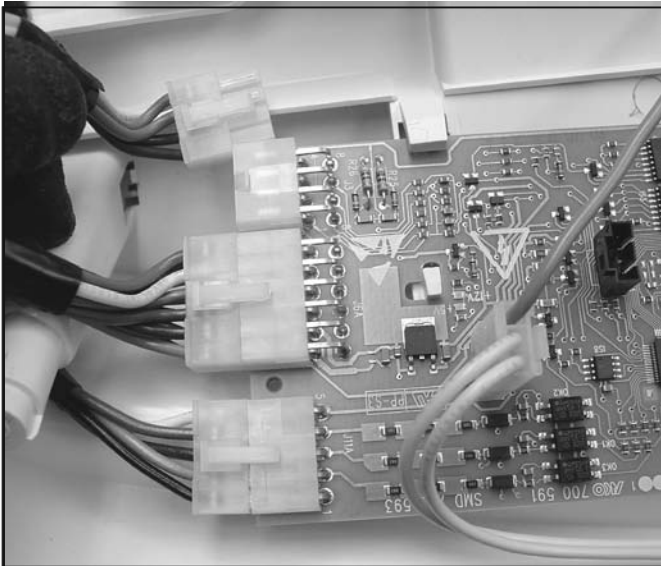
3. Roll console out and down.



## Logic Board Removal

1. Disconnect power supply to unit.
2. Remove Console.
3. Unlatch and disconnect the three plug-in connectors from logic control board, remove ground wire from the chassis and carefully remove the four flex circuit connectors.

4. Slide the entire Logic Board to the left, to allow the white tabs to align with the elongated slots.



## Front Access Panel Removal

1. Disconnect power supply to unit.
2. Remove Console.
3. Remove 5 screws securing panel.



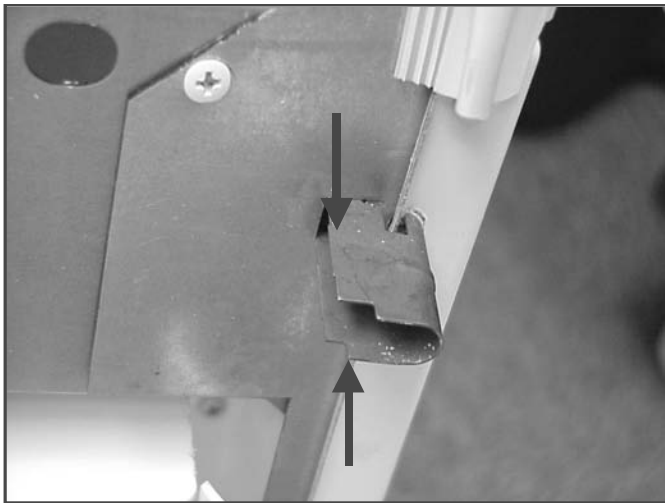
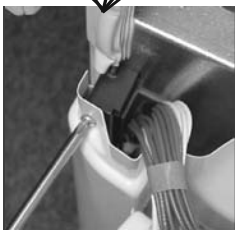


# Disassembly Procedures



To avoid risk of electrical shock, personal injury or death; disconnect power to unit before servicing.

4. Remove Spacer Support.



- 5. Disconnect wires to door switch.
- 6. Disconnect harness to Sensor and lift Front Panel off tabs on left and right sides of Base Frame.

# Disassembly Procedures



To avoid risk of electrical shock, personal injury or death; disconnect power to unit before servicing.

## Tumbler Drum Removal

1. Disconnect power supply to unit.
2. Remove Console.
3. Remove the Front Panel.
4. Remove Belt From Idler Pulley.
5. Remove top left screw attaching the Water Dispenser Housing.

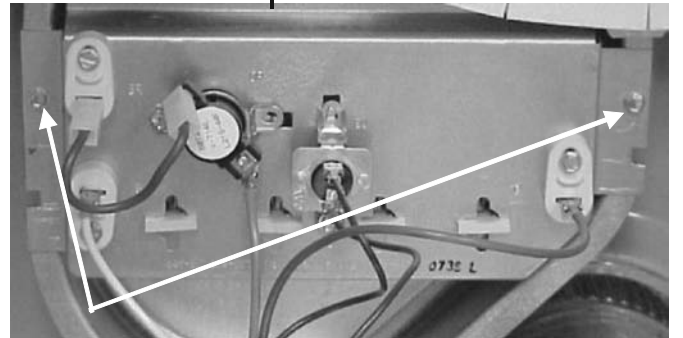


6. Force the plastic flange of the housing to the right and remove Drum



## Heater Assembly Removal

1. Disconnect power supply to unit.
2. Remove Console.
3. Remove the Front Panel.
4. Remove Belt From Idler Pulley.
5. Remove Tumbler Drum.
6. Remove 2 screws attaching Heater Assembly.



# Disassembly Procedures

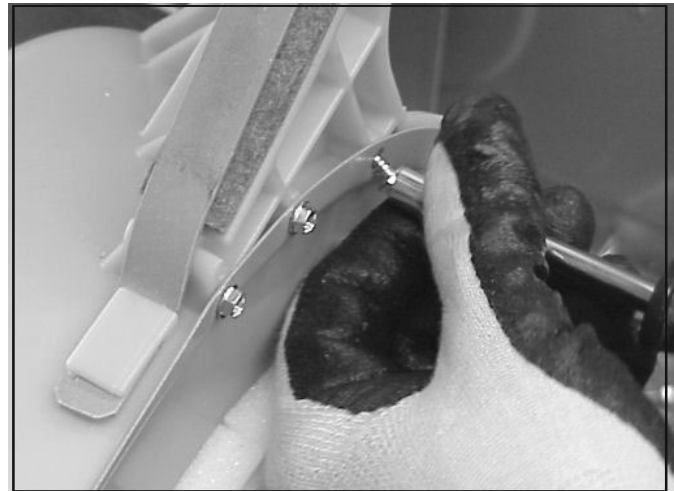


**WARNING**

To avoid risk of electrical shock, personal injury or death; disconnect power to unit before servicing.

## Relay Board Removal

1. Disconnect power supply to unit.
2. Remove Console.
3. Remove the Front Panel.
4. Remove screw, lift front of board up and pull toward front of machine



8. Carefully work Blower Wheel off the Motor Shaft.

## Blower and Motor Removal

1. Disconnect power supply to unit.
2. Remove Console.
3. Remove the Front Panel.
4. Remove Belt From Idler Pulley.
5. Remove Tumbler Drum.
6. Remove Snap-Ring and Clamp from Blower Hub.



9. Disconnect and remove Motor Harness.
10. Depress Spring Retainer and remove.



7. Remove Blower Inlet Cover.





# Disassembly Procedures



To avoid risk of electrical shock, personal injury or death; disconnect power to unit before servicing.

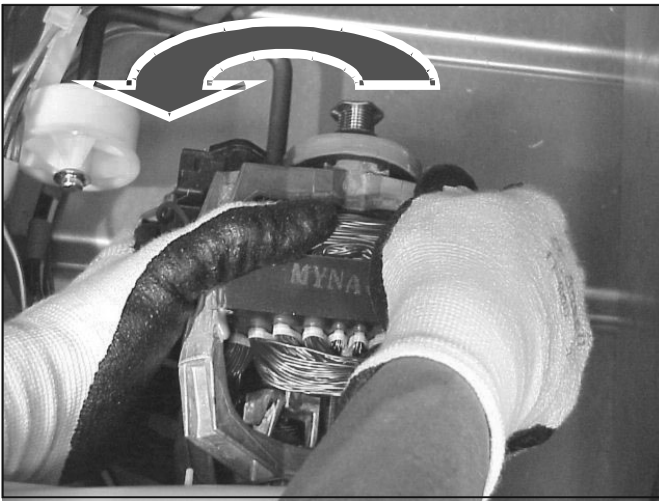


11. Rotate motor counterclockwise approx. 45 degrees. Lift up on the back of the Motor and pull out of the Front Support.



## Steamer Blower Removal

1. Disconnect power supply to unit.
2. Remove Console.
3. Remove the Front Panel.
4. Remove Hose on back of Water Valve.
5. Slide Water Valve Assembly toward front and remove.
6. Loosen screws securing Blower Assembly and remove.



## Water Valve Removal

1. Disconnect power supply to unit.
2. Remove Console.
3. Remove the Front Panel.
4. Remove Hose on back of Water Valve.
5. Slide Water Valve Assembly toward front and remove.



7. Loosen screws on mounting plate and remove Blower Assembly.

## Disassembly Procedures



To avoid risk of electrical shock, personal injury or death; disconnect power to unit before servicing.



### Steamer Heater Removal

1. Disconnect power supply to unit.
2. Remove Console.
3. Remove the Front Panel.
4. Remove Hose on back of Water Valve.
5. Slide Water Valve Assembly toward front and remove.
6. Loosen screws securing Blower Assembly and remove.
7. Slide Heater Assembly out the front of unit.

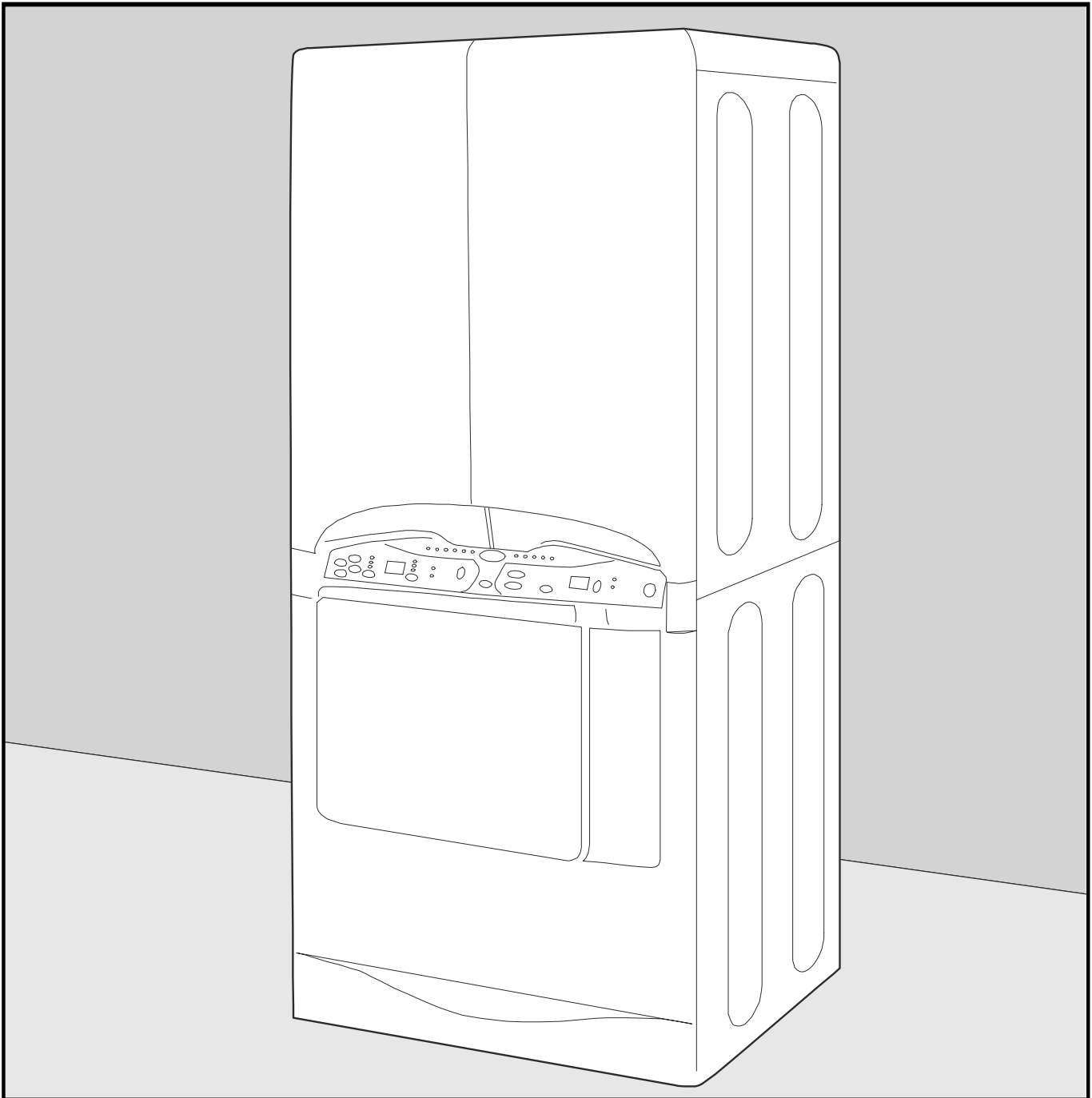


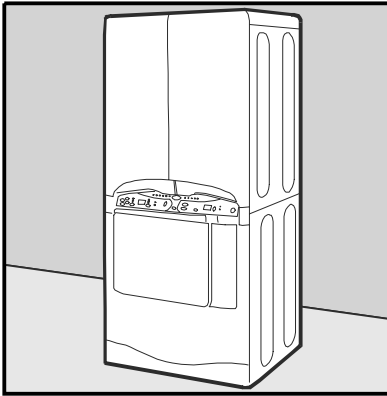
# Appendix A

# Maytag Neptune® Drying Center

Centre de séchage Neptune® Maytag/Centro de Secado Maytag Neptune®

Installation Instructions/Instructions d'installation/Instrucciones de Instalación





# Maytag Neptune Dryer Center

## I M P O R T A N T

It is recommended that a qualified service technician install your dryer.

**Two people** are required for the installation of this product.

Please read the following instructions carefully before starting to install the dryer. These instructions should be retained for future reference.

Remove the doors from all discarded appliances such as dryers to avoid the danger of a child suffocating.

## MINIMUM CLEARANCES

When installing the dryer the following minimum clearances apply: • Sides – 2.25” • Rear – 1.5” • Top – 2” • Front – 0”

## GENERAL WARNINGS

Do not install the dryer on a carpeted floor. The dryer must not be installed or stored in an area where it will be exposed to water and/or weather. The dryer area is to be kept clear and free from combustible materials, gasoline, and other flammable vapors and liquids. The area around the dryer should be kept free of lint.

Dryers installed in residential garages must be elevated 18 inches ( 46 cm ) above the floor.

**WARNING** – To reduce the risk of fire this appliance must be exhausted to the outside.

The dryer must not be exhausted into any gas vent, chimney, wall, ceiling, or concealed space of a building. If the dryer is installed in a closet or tightly sealed room, provisions should be made for at least 18 square inches of ventilation area. Air openings measuring a minimum of 3 x 3 inches should be provided at the top and bottom of the closet door. Ordinarily, louvered doors will satisfy the ventilation requirements. Do not allow storage or any other materials to obstruct ventilation openings.

**Never use plastic or non-metal flexible duct.**

This can kink, reduce airflow causing service problems, and presents a potential fire hazard.

**Use 4” diameter rigid metal exhaust duct.**

Minimize the length of the duct and the number of elbows. Secure joints with duct tape. Do not use screws or other fastening devices which extend into the interior of the duct.

**Clean out previously used exhaust duct.**

Replace kinked or crushed sections. Be sure exhaust hood flap opens and closes freely.

**If flexible duct must be used, use only the type with a stiff metal wall.** Do not kink or crush the duct.

Do not use flexible duct with a thin foil wall.

The exhaust duct should end with an exhaust hood with a swing out damper to prevent back drafts and entry of wildlife. Never use an exhaust hood with a magnetic damper. The hood should have at least 12 inches of clearance between the bottom of the hood and the ground or other obstruction. The hood opening should point down. Never install a screen over the exhaust outlet.

If exhaust ductwork must run through an unheated area, the duct should be insulated and slope slightly down towards the exhaust hood to reduce condensation build-up.

Inspect and clean the interior of the exhaust system at least once a year. Disconnect electric service prior to cleaning. Check the gas line on gas dryers anytime the dryer is moved.

## MOBILE HOME INSTALLATION

The installation of the dryer in mobile homes must conform to the Manufactured Home Construction and Safety Standard, Title 24 CFR, Part 32-80 {formerly the Federal Standard for Mobile Home Construction and Safety, Title 24, HUD (part 280), 1975} (for the United States), or CSA Standards Z240 (for Canada).

When installing a dryer in a mobile home, provisions for anchoring the dryer to the floor must be made.

All mobile home installations must be exhausted to the outside with the exhaust duct termination securely fastened to the mobile home structure, using materials that will not support combustion. The exhaust duct may not terminate beneath the mobile home.

## ELECTRICAL WARNINGS

The power cord kit purchased by the consumer for use with this dryer must be rated for 240Vmin 30A, fitted with closed loop terminals, and marked for use with clothes dryers.

To prevent unnecessary risk of fire, electrical shock or personal injury, all wiring and grounding must be done in accordance with local codes, or in the absence of local codes, with the National Electrical Code, ANSI/NFPA 70, or the Canadian Electrical Code, CSA C22.1.

A wiring diagram is located inside the control panel.

This dryer is grounded through the neutral conductor to the appliance frame by a green grounding wire or brass strap. If used in a mobile home or if local codes do not permit grounding through the neutral, remove the green grounding wire or brass strip from the terminal block (center stud) and the ground screw. Then use the ground screw to ground the dryer in accordance with local codes. When installed in a mobile home a four-conductor power cord must be used. See section B for instructions.

(MCE models) – A 240 volt, 60 Hz AC, approved electrical service fused through a dedicated 30 ampere fuse or circuit breaker on both sides of the line is required.

(MCG models) – A 120 volt, 60 Hz AC, approved electrical service with a 20 ampere fuse or circuit breaker is required. The plug must be plugged into an appropriate outlet that is properly installed and grounded in accordance with all local codes and ordinances. Do not attempt to modify the plug provided with the appliance in any way.

If a power cord is not used and the electric dryer is to be permanently wired, the dryer must be connected to a grounded metal, permanent wiring system; or an equipment grounding conductor must be run with the circuit conductors and connected to the equipment grounding terminal.

## GAS WARNINGS

Use only Natural or LP (Liquid Petroleum) gasses.

Gas dryers are equipped with a burner orifice for operation on natural gas. Conversion kits (Part Number 63-6766) are available through your local dealer. If the dryer is to be operated on LP (Liquid Petroleum) gas, it must be converted by a qualified service technician for safe and proper performance. This dryer uses an automatic ignition system to ignite the burner. There is no constant burning pilot.

The installation must conform with local codes, or in the absence of local codes, with the National Fuel Gas Code, ANSI Z223.1/NFPA 54, or the Canadian Natural Gas and Propane Installation Code, CSA B149.1.

The National Fuel Gas Code requires that an accessible, approved manual gas shut-off valve be installed within 6 feet of the dryer. Additionally a 1/8" N.P.T. (National Pipe Thread) plugged tapping, accessible for test gauge connection, must be installed immediately upstream of the gas supply connection to the dryer.

The dryer must be disconnected from the gas supply piping system during any pressure testing of the system.

Check gas line on gas dryers anytime the dryer is moved.

Do not re-use old flexible metal gas line. Flexible gas line must be design certified by American Gas Association (CGA in Canada). Note: Any pipe compound used must be resistant to the action on any liquefied petroleum gas.

No other fuel burning appliance should be installed in the same room or closet as the dryer.

### IMPORTANT SAFETY NOTICE AND WARNING

The California Safe Drinking Water and Toxic Enforcement Act of 1986 (Proposition 65) requires the Governor of California to publish a list of substances known to the State of California to cause cancer or reproductive harm and requires business to warn consumers of potential exposures to such substances.

Users of this appliance are hereby warned that the burning of gas can result in low-level exposure to some of the listed substances, including benzene, formaldehyde and soot, due primarily to the incomplete combustion of natural gas or liquid petroleum (LP) fuels. Exhaust ducts should be kept free of obstructions and properly exhausted dryers will minimize exposure.

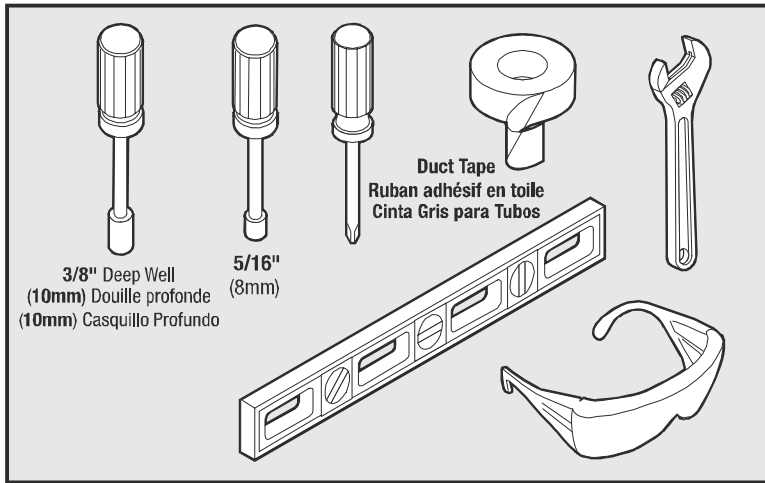
## SERVICE

If service is required:

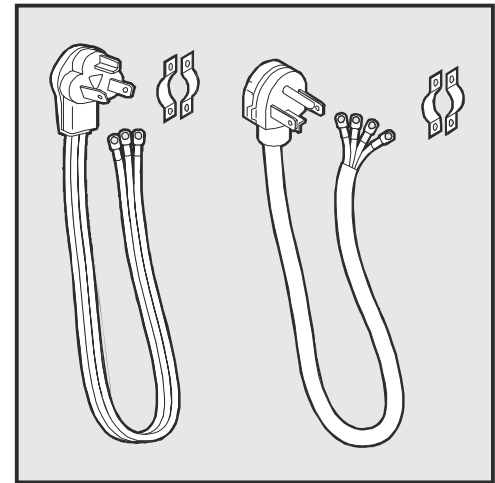
Disconnect electric power before servicing to reduce the risk of electric shock.

**Do not** contact control boards while appliance is energized. The control board, water valve, and motor are intentionally **not** grounded and may present a risk of electric shock during servicing.



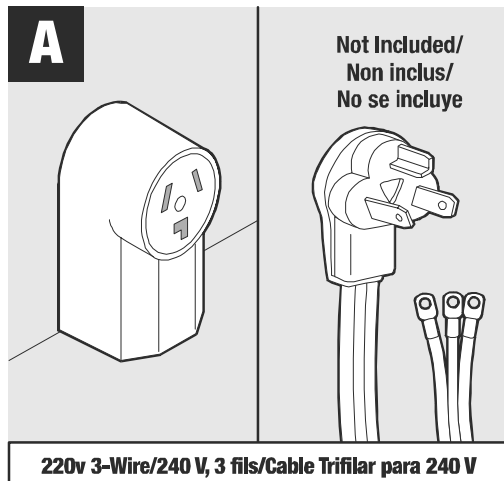


Tools Needed./Outils nécessaires./Herramientas Necesarias.

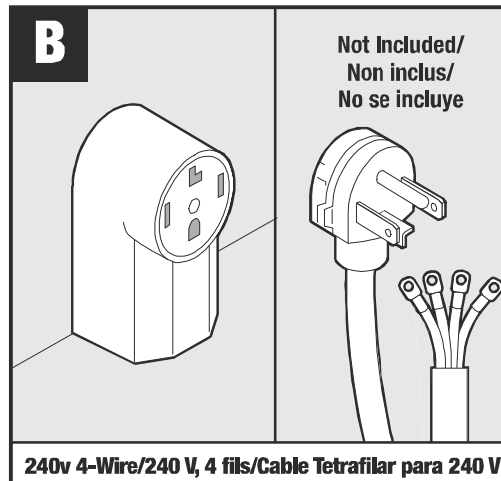


Not Included./Non inclus./No se incluye.

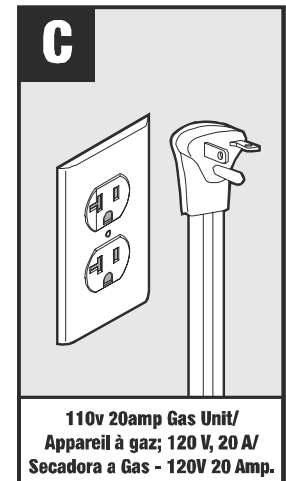
### Before Installation/Avant l'installation/Antes de la Instalación



Go to A1./Allez à A1./Vaya a A1.

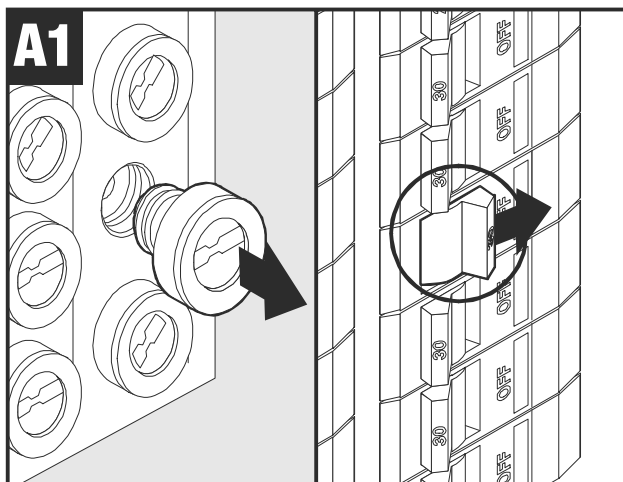


Go to B1./Allez à B1./Vaya a B1.

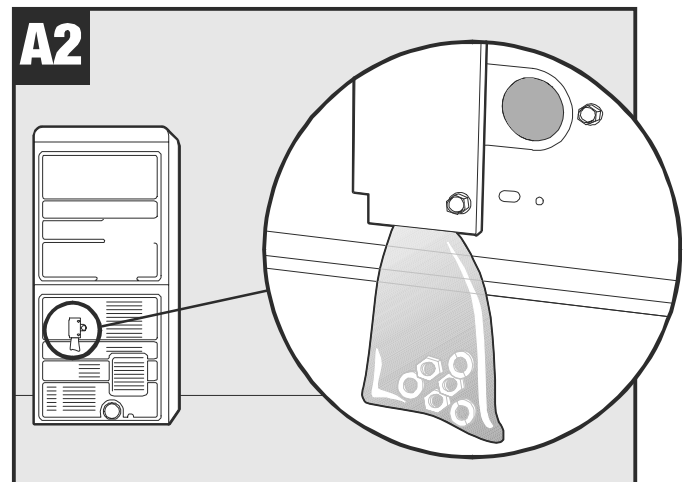


Go to Step 1./Allez à l'étape 1./Vaya al Paso 1.

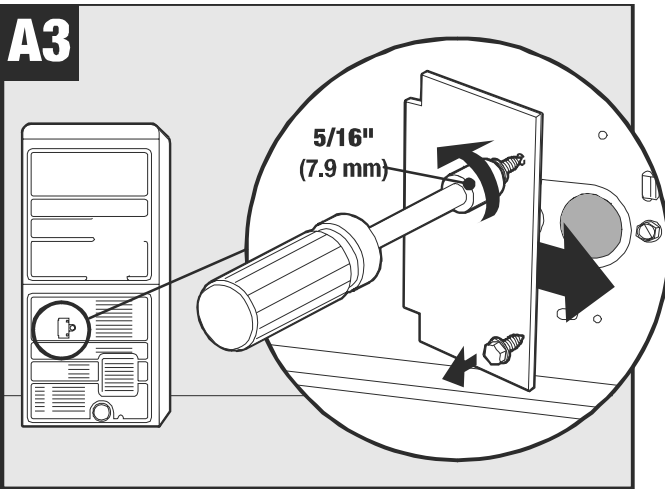
### 240v 3-Wire/240 V, 3 fils/Cable Trifilar para 240 V



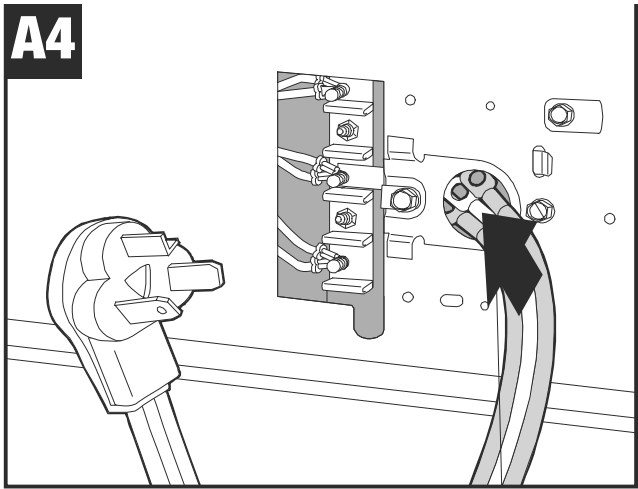
Turn off power at fuse box./Coupez l'alimentation électrique au fusible./Corte la energía eléctrica en la caja de fusibles.



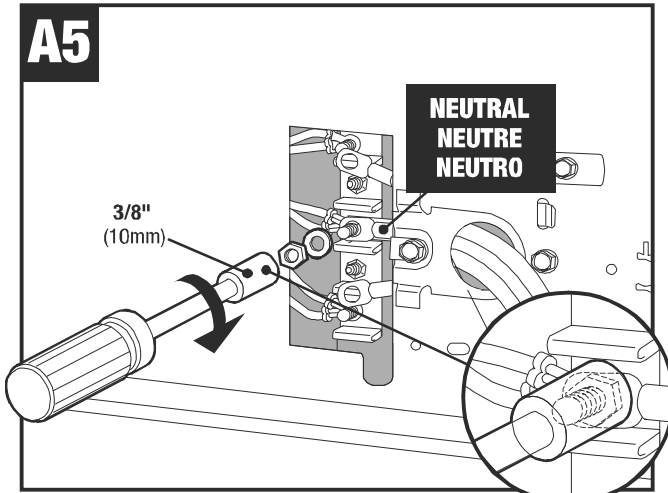
Nuts and washers for connecting electrical cord to machine./Écrous et rondelles pour le raccordement du cordon électrique à l'appareil./Tuercas y arandelas para conectar el cordón eléctrico a la secadora.

**A3**

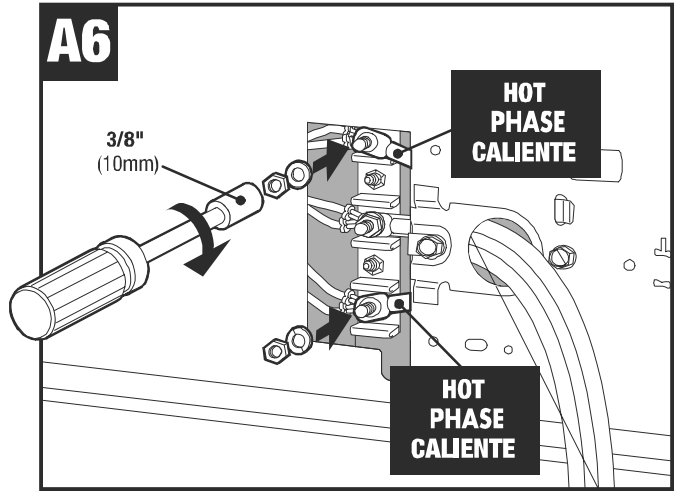
Remove metal cover to access wire connections./Enlevez le couvercle métallique pour accéder aux raccords./Retire la cubierta de metal para tener acceso a las conexiones de los cables.

**A4**

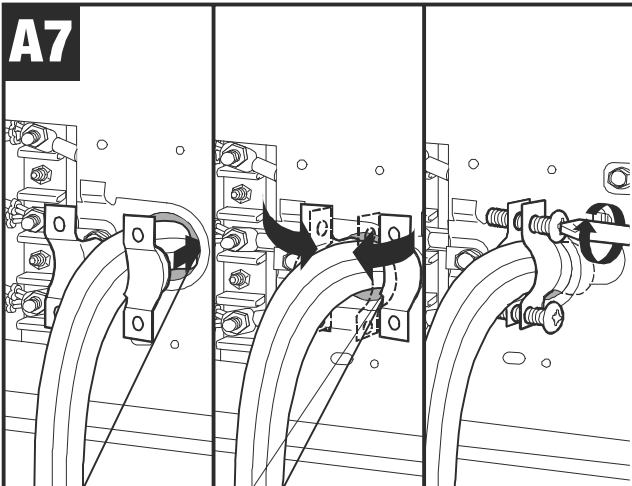
Insert cord connections through hole. (NOTE: Mark middle [Neutral] connection before inserting.)/Insérez les raccords du cordon dans le trou. (Remarque : Marquez le raccordement central (neutre) avant l'insertion.)/Inserte las conexiones del cordón a través del agujero (Nota: Marque la conexión central (Neutro) antes de insertarlas.)

**A5**

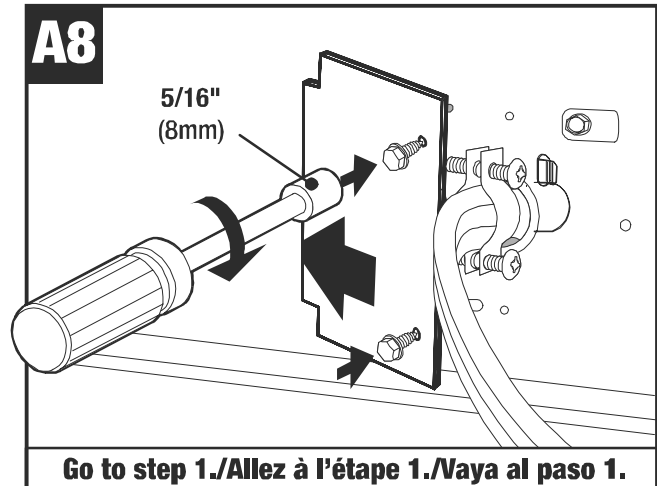
Attach neutral wire to center post. (NOTE: Use deep well nut driver for all connections to assure tight fit on all terminals.)/Raccordez le fil de neutre au goujon central. (Remarque : Utilisez une douille profonde pour tous les raccords pour vous assurer que toutes les bornes sont bien serrées.)/Instale el alambre neutro a la clavija central. (Nota: Use la llave de tuercas de casquillo profundo para todas las conexiones a fin de asegurar un ajuste apretado en todos los bornes.)

**A6**

Attach hot wires./Raccordez les fils des phases./ Instale los alambres calientes.

**A7**

Attach wire strain protector./Fixez la protection du fil./ Instale el sujetacable protector.

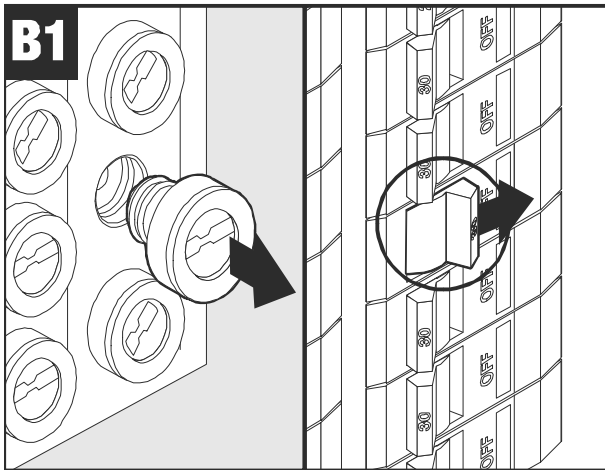
**A8**

Go to step 1./Allez à l'étape 1./Vaya al paso 1.

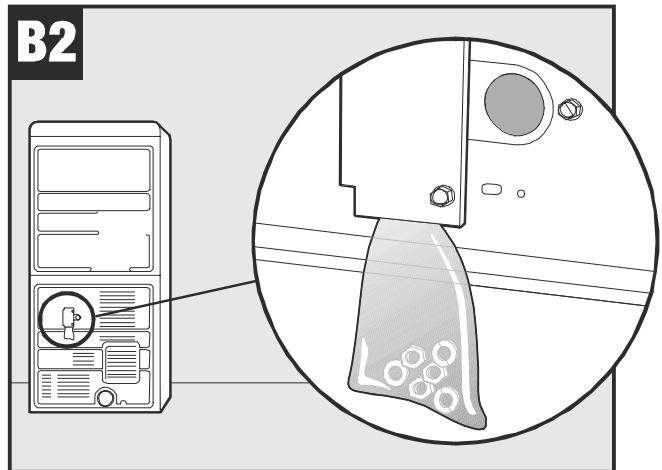
Replace metal cover./Remettez le couvercle métallique./ Vuelva a colocar la cubierta de metal.



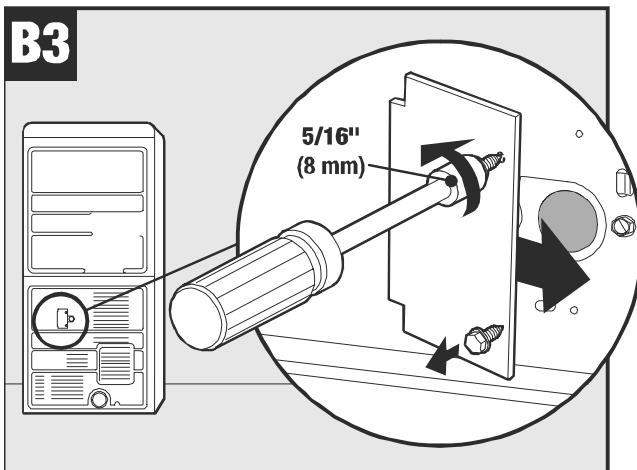
**240v 4-Wire/240 V, 4 fils/Cable Tetrafilar para 240 V**



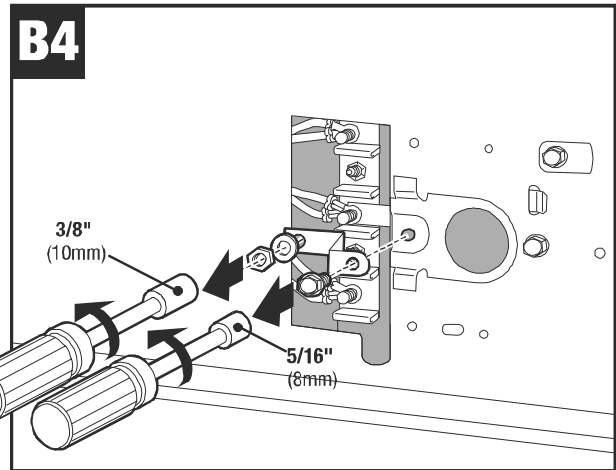
**Turn off power at fuse box./Coupez l'alimentation électrique au fusible./Corte la energía eléctrica en la caja de fusibles.**



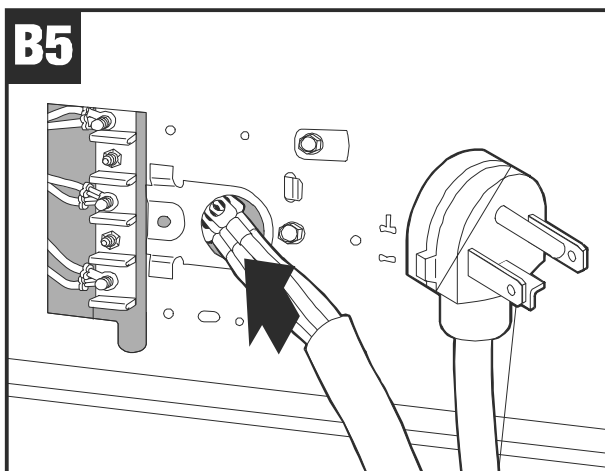
**Nuts and washers for connecting electrical cord to machine./Écrous et rondelles pour le raccordement du cordon électrique à l'appareil./ Tuercas y arandelas para conectar el cordón eléctrico a la secadora.**



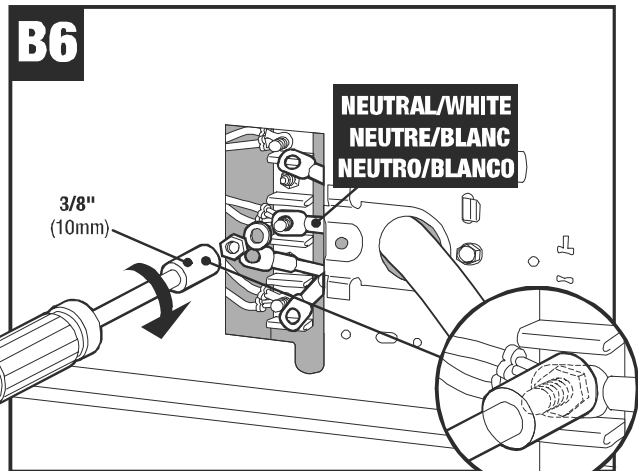
**Remove metal cover to access wire connections./Enlevez le couvercle métallique pour accéder aux raccordements./Retire la cubierta de metal para tener acceso a las conexiones de los alambres.**



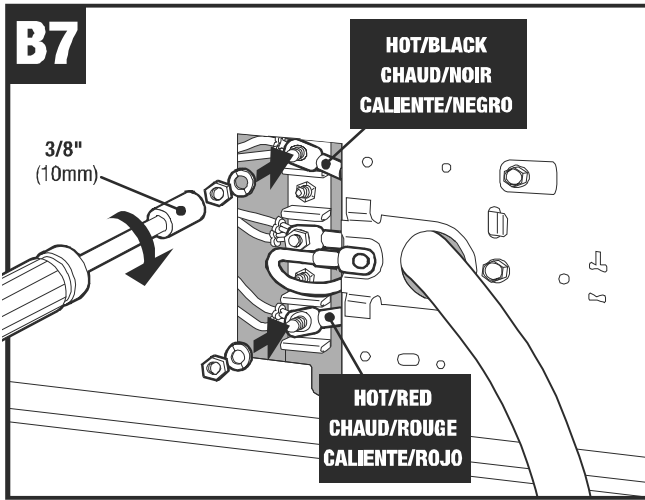
**Remove nut and exterior bolt from ground strap./ Enlevez l'écrou et le boulon extérieur du ruban de mise à la terre./ Retire la tuerca y el perno exterior de la cinta de conexión a tierra.**



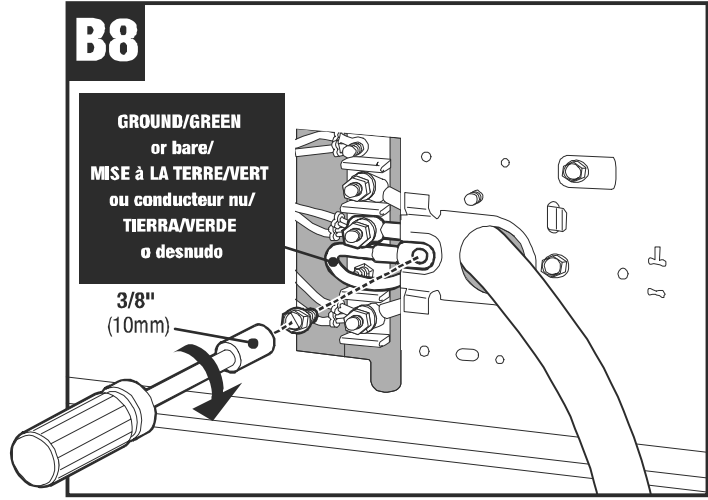
**Insert cord connections through hole./ Insérez les raccordements du cordon à travers le trou./ Inserte las conexiones del cordón a través del agujero.**



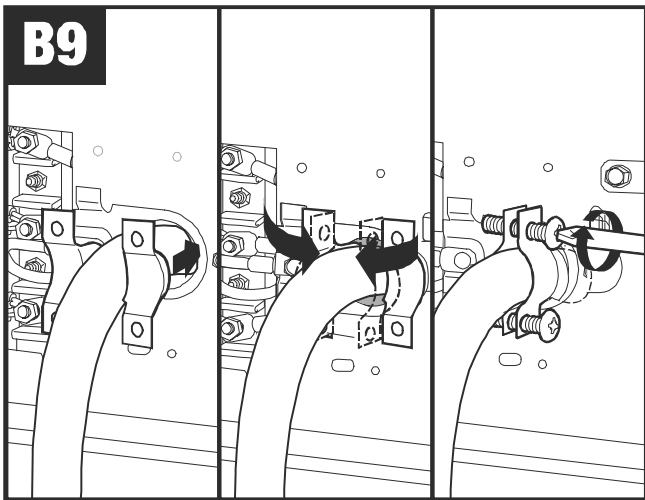
**Attach neutral wire to center post, (NOTE: Use deep well nut driver for all connections to assure tight fit on all terminals.)/Raccordez le fil de neutre au goujon central. (Remarque : Utilisez une douille profonde pour tous les raccordements pour vous assurer que toutes les bornes sont bien serrées.)/ Instale el alambre neutro en la clavija central, (NOTA: Use la llave de tuerca de casquillo profundo para todas las conexiones a fin de asegurar un ajuste apretado en todos los bornes.)**



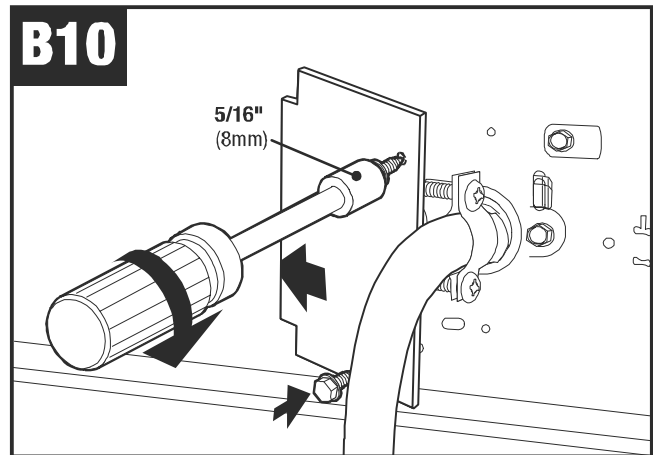
**Attach hot wires./Raccordez les fils chauds./  
Instale los alambres calientes.**



**Attach ground wire./Raccordez le fil de terre./Instale el alambre de conexión a tierra.**



**Attach wire strain protector./Fixez la protection du fil./  
Instale el sujetacable protector.**



**Go to step 1./Allez à l'étape 1./Vaya al paso 1.**

**Replace wire connections metal cover./Remettez le couvercle métallique./  
Vuelva a colocar la cubierta metálica de las conexiones de los alambres.**

## Installation/Installation/Instalación



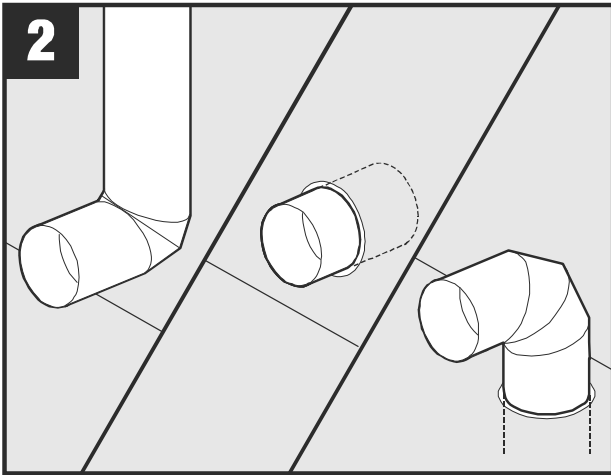
**Allow ample space for installation./Laissez suffisamment d'espace pour  
l'installation./Disponga de un espacio amplio para la instalación.**

### LENGTH OF VENT/LONGUEUR DU TUYAU D'ÉVACUATION/ LARGO DEL CONDUCTO DE ESCAPE

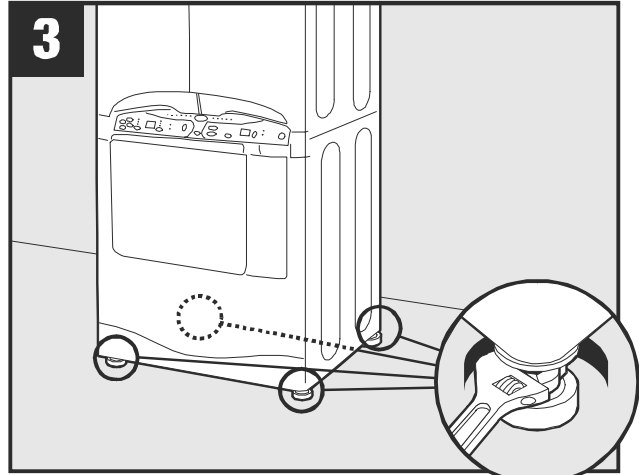
Maximum Length of 4" Rigid Duct/Longueur maximum du tuyau rigide de 4 po./Largo máximo del conducto rígido de 4"

Number of 90° turns separated by at least 4' (121.9cm) of straight run/Nombre de coudes à 90° séparés par au moins 4 pieds de partie droite./Número de codos de 90° separados por 4 pies de tramos derechos como mínimo	VENT HOOD TENT	
	4" (121.9cm) Opening/ Ouverture/Cavidad	2 1/2" (6.35cm) Opening/ Ouverture/Cavidad
0	60 Feet (18.3m)	45 Feet (13.7m)
1	50 Feet (15.2m)	35 Feet (10.7m)
2	40 Feet (12.2m)	25 Feet (7.6m)

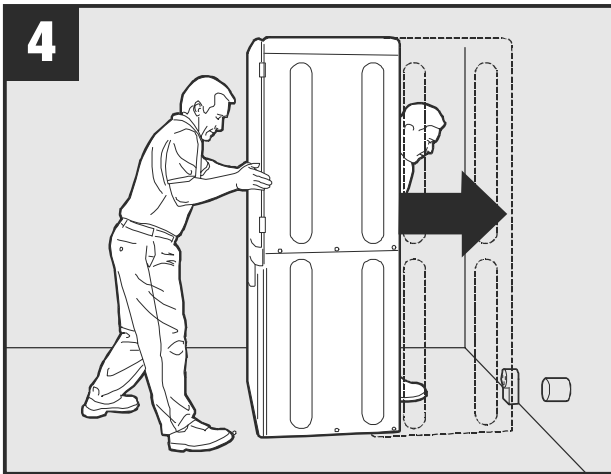
## Installation/Installation/Instalación



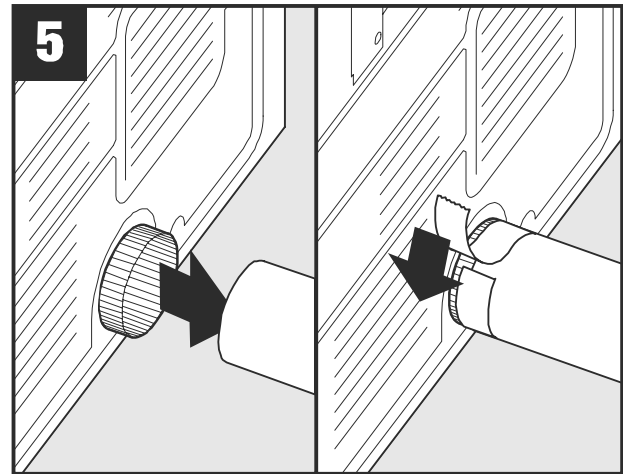
Use rigid metal exhaust duct./Utilisez un tuyau métallique rigide de sortie./  
Use conducto de escape rígido de metal.



Loosen lock nuts before moving dryer to final position./Desserrez les écrous de blocage avant de déplacer la sècheuse dans sa position définitive./Afloje las contratueras antes de mover la secadora a su lugar definitivo.

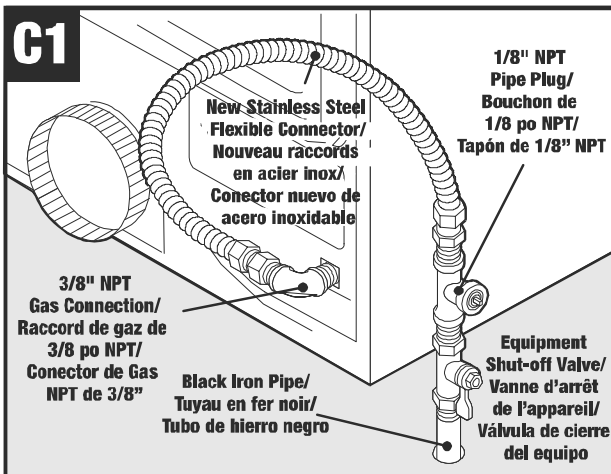


Carefully position dryer in final position./Déplacez soigneusement la sècheuse dans sa position définitive./Coloque con cuidado la secadora en su lugar definitivo.



Secure vent connection./Fixez le raccordement du tuyau de sortie./  
Asegure la conexión del conducto de escape.

## Gas Unit Hookup/Raccordement d'un appareil à gaz/Conexión de la Secadora a Gas



Attach approved natural gas pipe connection per local codes./Fixez le raccordement du tuyau de gaz naturel selon les règlements locaux./  
Instale la conexión aprobada de la tubería del gas natural de acuerdo con los códigos locales.

### CAUTION:

Moderate pressure is all that is required to make a tight joint.  
Do not use excessive force as damage to the valve may occur.

Check all connections for leaks with soap and water.

### ATTENTION :

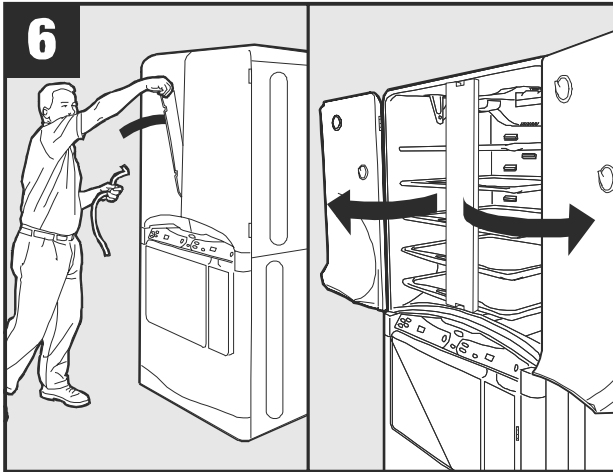
Seule une pression modérée est nécessaire pour établir une bonne étanchéité du raccord.  
N'utilisez pas une trop grande force qui pourrait endommager la vanne.

Vérifiez à l'aide d'eau savonneuse qu'aucun raccordement ne fuit.

### ATENCIÓN:

Una presión moderada es todo lo necesario para hacer una junta hermética.  
No use demasiada fuerza pues puede dañar la válvula.

Utilice jabón y agua en todas las conexiones para verificar si hay escapes.



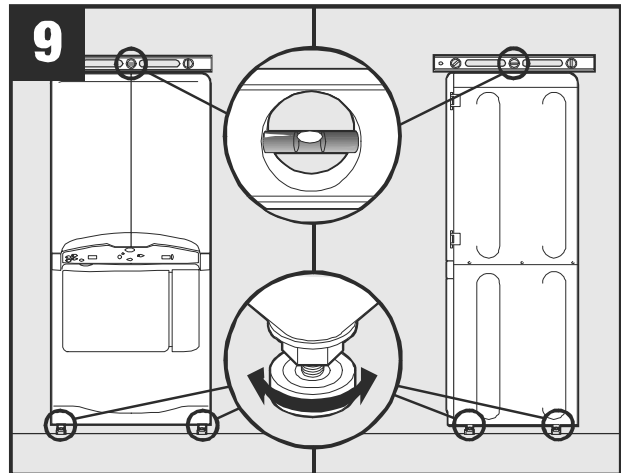
**6**  
 Remove tape and shipping material from upper doors./Enlevez le ruban adhésif et les matériaux d'emballage des portes supérieures./Retire la cinta adhesiva y el material de empaque de las puertas superiores.



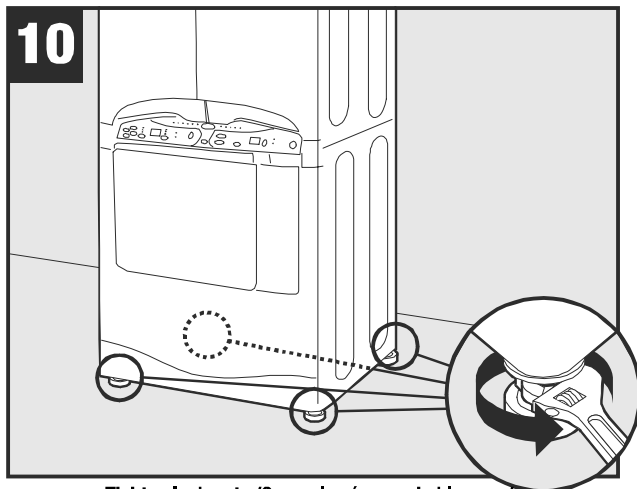
**7**  
 Remove shelf hook, tape and packing materials inside upper drying cabinet./Enlevez le crochet de l'étagère, le ruban adhésif et les matériaux d'emballage se trouvant à l'intérieur du coffret de séchage supérieur./ Retire el gancho del estante, la cinta adhesiva y los materiales de empaque del interior del gabinete de secado superior.



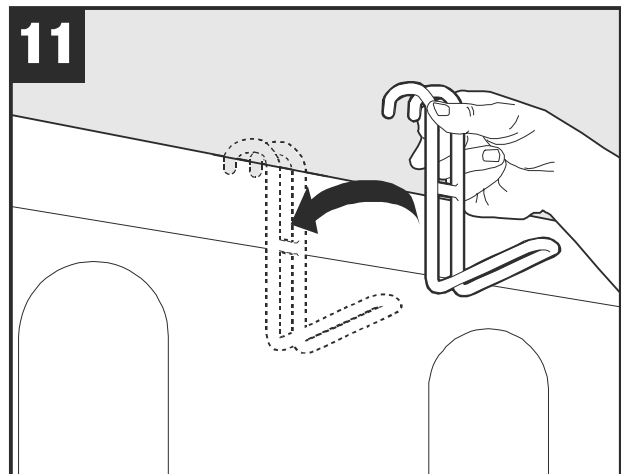
**8**  
 Remove tape and packing materials from shaker bar and check for packing materials in lower drum cavity./Enlevez le ruban adhésif et les matériaux d'emballage de la barre de mélange et vérifiez qu'il n'y a pas de matériaux d'emballage dans le tambour inférieur./Retire la cinta adhesiva y los materiales de empaque de la barra sacudidora y verifique si hay materiales de empaque en la cavidad del tambor inferior.



**9**  
 Level dryer by adjusting legs./Mettez la sècheuse à niveau en réglant les pieds./Nivele la secadora con los tornillos niveladores.



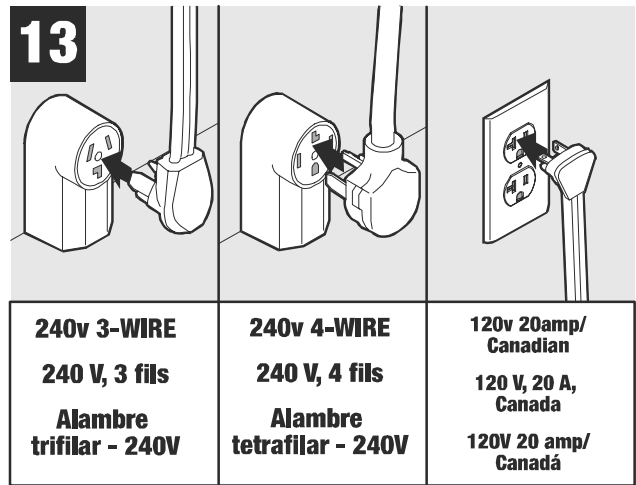
**10**  
 Tighten lock nuts./Serrez les écrous de blocage./ Apriete las contratruercas.



**11**  
 Place shelf hook on top of unit on either side./Placez le crochet de l'étagère sur le dessus de l'appareil, d'un côté ou de l'autre./ Coloque el gancho del estante en la parte superior de la secadora en cualquiera de ambos lados.



**12**  
 Remove protective film from control panel./  
 Enlevez le film protecteur du tableau de commande./  
 Retire la película protectora del panel de control.

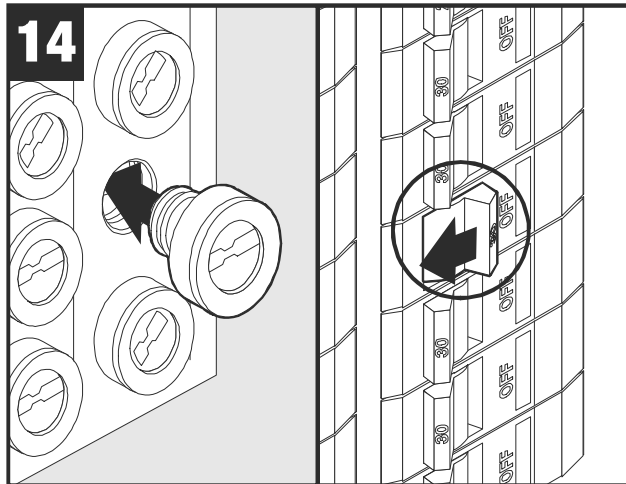


**240v 3-WIRE**  
 240 V, 3 fils  
 Alambre trifilar - 240V

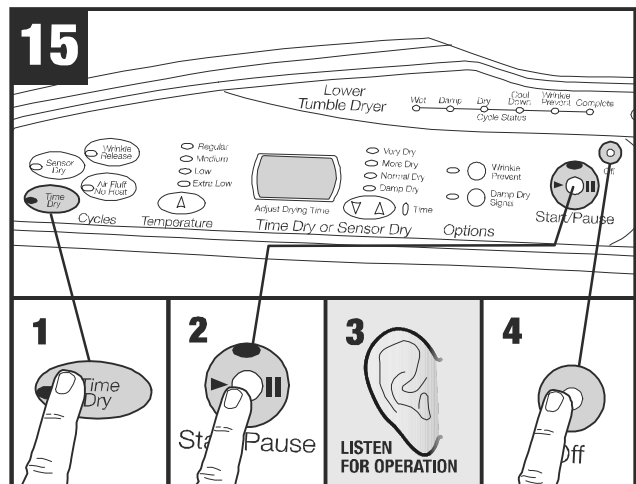
**240v 4-WIRE**  
 240 V, 4 fils  
 Alambre tetrafililar - 240V

**120v 20amp/Canadian**  
 120 V, 20 A, Canada  
 120V 20 amp/Canadá

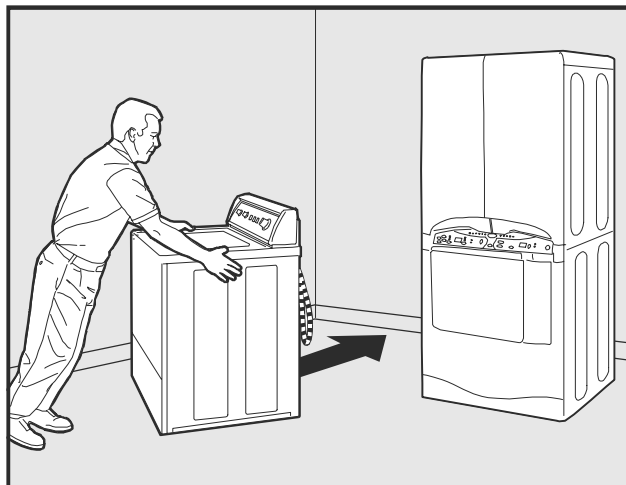
Plug in unit./Branchez l'appareil./Enchufe la secadora.



**14**  
 Turn on power at fuse box./Remettez le courant au fusible./  
 Conecte la energía eléctrica en la caja de fusibles.

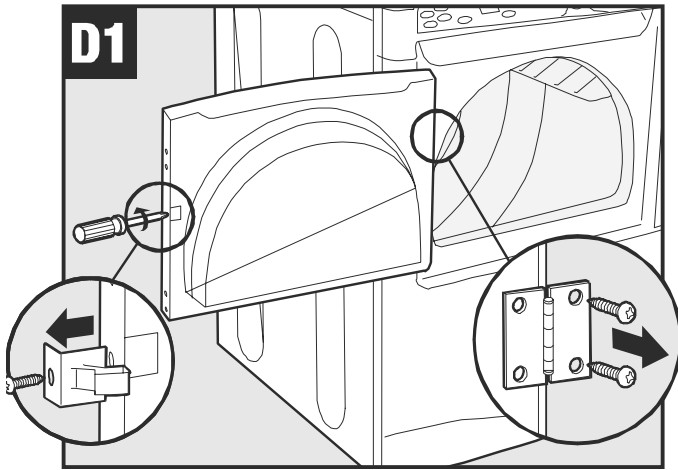


**15**  
 Test to see if the dryer is operational./Vérifiez que la sécheuse fonctionne./  
 Verifique si la secadora funciona.

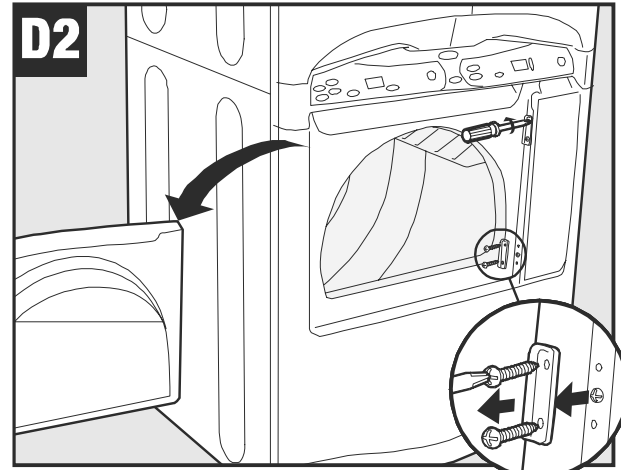


Replace equipment adjacent to final dryer position./Remettez l'équipement adjacent à la position finale de la sécheuse./Vuelva a colocar en su lugar el equipo adyacente al lugar definitivo de la secadora.

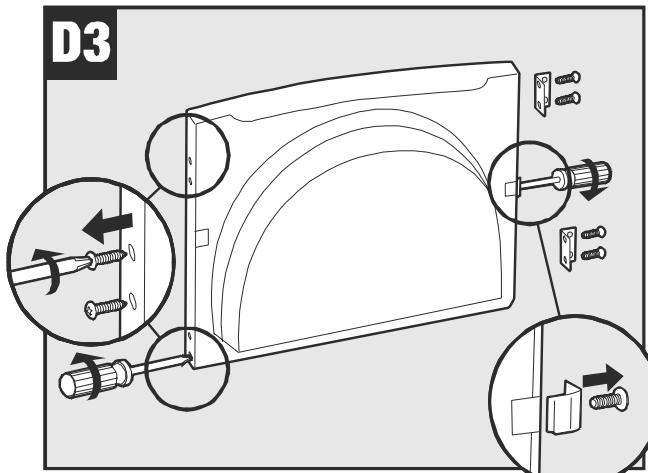
**Door Reversal Option/Option d'inversion de la porte/Opción de inversión de la puerta**



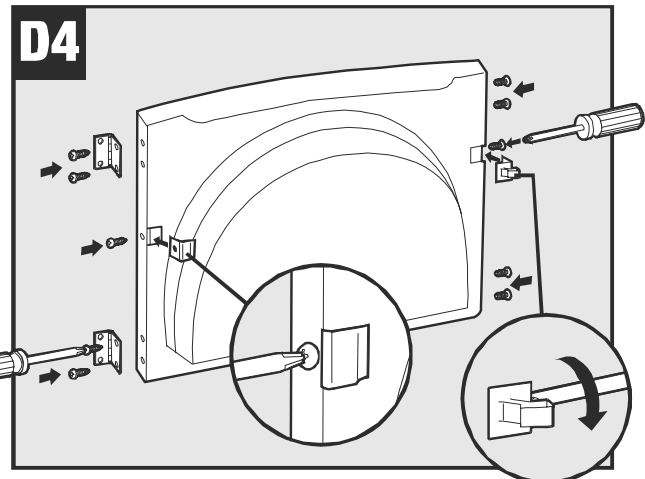
**D1**  
Remove screws holding door latch and door hinges./Enlevez les vis maintenant le système de verrouillage et les charnières./Retire los tornillos que sujetan el seguro de la puerta y las bisagras de la puerta.



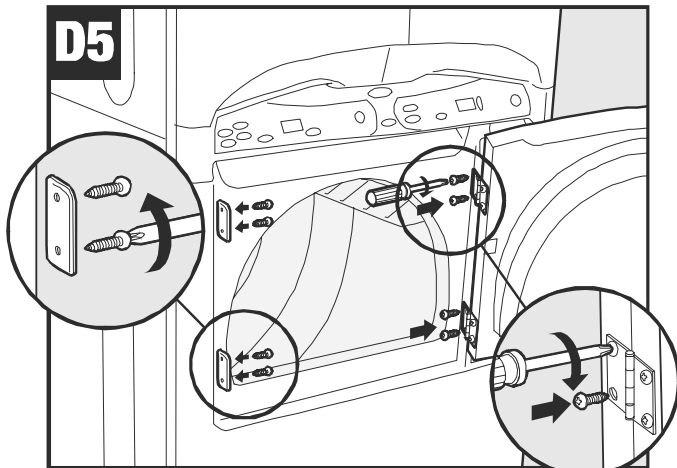
**D2**  
Remove door and hinge covers./Enlevez la porte et les couvercles de charnières./Retire la puerta y las cubiertas de las bisagras.



**D3**  
Remove screws in door, hinges and latch cover./Enlevez les vis de la porte des charnières et du couvercle de verrou./Retire los tornillos de la puerta, de las bisagras y de la cubierta del seguro.



**D4**  
Secure screws in door, hinges, door latch and latch cover./Fixez les vis de la porte, des charnières, du système de verrouillage et du couvercle de verrou./Asegure los tornillos de la puerta, de las bisagras, del sistema de cierre de la puerta y de la tapa del seguro.



**D5**  
Attach hinges and hinge covers in new positions./Fixez les charnières et les couvercles de charnières dans leurs nouvelles positions./Instale las bisagras y las cubiertas de las bisagras en sus nuevas posiciones.



## Household Installation Accessories/Accessoires d'installation dans une maison/ Accesorios para instalación en el hogar

- Vent hood/Hotte de sortie/Caperuza de salida – 4" (10.16 cm) opening – 059129
- Aluminum pipe/Tuyau en aluminium/Tubería de aluminio – 4" x 24" (10.16 cm x 60.96 cm) – 059130
- Aluminum elbow/Coude en aluminium/Codo de aluminio – 4" (10.16 cm) – 059131
- Aluminum window plate/Plaque de fenêtre en aluminium/Placa de aluminio de la ventana – 15" x 20" (38.10 cm x 50.80 cm) – 4" (10.16 cm) hole – 059134
- Flexible aluminum vent duct – 4" (10.16 cm) diameter – 38" (81.28 cm) length stretches to 8' (243.84 cm) – 304353/  
Tuyau de sortie flexible en aluminium : 4 po (10,16 cm) de diamètre, 38 po (81,28 cm) de longueur s'étirant jusqu'à 8 pi (243,84 cm) – 304353./  
Conducto de escape flexible de aluminio - 4" (10,16 cm) de diámetro – 38" (81,28 cm) de largo que se extiende hasta 8' (243,84 cm) – 304353.
- Clamp for flexible aluminum duct/Collier pour tuyau flexible en aluminium/Abrazadera para conducto flexible de aluminio – 304630
- Rectangular vent kit/Ensemble de sortie rectangulaire/Juego de escape rectangular – 059144
- Dacron lint bag/Sac à fibres en Dacron/Bolsa de 'Dacron' para las pelusas – 311353
- Anchor bracket kit/Ensemble de collier de fixation/Juego de soportes de anclaje – 303740
- Grounding kit/Ensemble de mise à la terre/Juego de puesta a tierra – 12001875
- Power cords/Cordons d'alimentation/Cordones eléctricos – 240V, 30A
  - 4' (121.9 cm) – 3-wire/3 fils/Cable trifilar – 33001780
  - 4' (121.9 cm) – 4-wire/4 fils/Cable tetrafilar – 33001781
  - 5' (152.4 cm) – 3-wire/3 fils/Cable trifilar – 33001822
  - 5' (152.4 cm) – 4-wire/4 fils/Cable tetrafilar – 33001824
  - 6' (182.9 cm) – 3-wire/3 fils/Cable trifilar – 33001823
  - 6' (182.9 cm) – 4-wire/4 fils/Cable tetrafilar – 33001825
  - 10' (304.8 cm) – 3-wire/3 fils/Cable trifilar – 33001838





# Appendix B

# MAYTAG NEPTUNE® DRYING CENTER

# USE & CARE

## G U I D E

### TABLE OF CONTENTS

Safety Instructions .....	1-3
Dryer Exhaust Tips .....	4
Using the Controls - Upper Drying Cabinet.....	5-6
Special Laundry Tips - Upper Drying Cabinet.....	7
Operating Tips - Lower Tumble Dryer .....	8
Using the Controls - Lower Tumble Dryer .....	9-10
Special Laundry Tips - Lower Tumble Dryer.....	11
Care and Cleaning.....	12
Replace Lights .....	12
Troubleshooting - Upper Drying Cabinet .....	13
Troubleshooting - Lower Tumble Dryer .....	14
Warranty .....	15
Guide de utilisation et d'entretien.....	16
Guía de Uso y Cuidado .....	32

# IMPORTANT SAFETY INSTRUCTIONS

## WELCOME

Welcome and congratulations on your purchase of a Maytag Neptune® Drying Center! Your complete satisfaction is very important to us. For best results, we suggest reading this material to help acquaint you with proper operating and maintenance procedures.

Should you need assistance in the future, it is helpful to:

- 1) Have complete model and serial number identification of your appliance. This is located on a data plate in the lower center of the door opening.

Date of Purchase \_\_\_\_\_

Model Number \_\_\_\_\_

Serial Number \_\_\_\_\_

- 2) **IMPORTANT: Keep this guide and the sales receipt in a safe place for future reference. Proof of original purchase date is needed for warranty service.**

If you have questions, call:

Maytag Customer Assistance  
1-888-462-9824 USA and CANADA  
1-800-688-2080 USA TTY (for deaf, hearing impaired or speech impaired)  
(Mon.–Fri., 8am–8pm Eastern Time)  
<http://www.maytag.com>

**For service and warranty information, see page 15.**

**NOTE: In our continuing effort to improve the quality of our appliances, it may be necessary to make changes to the appliance without revising this guide.**

## WARNING

Gas leaks may occur in your system and result in a dangerous situation. Gas leaks may not be detected by smell alone. Gas suppliers recommend you purchase and install an UL approved gas detector. Install and use in accordance with the manufacturer's instructions.

**IMPORTANT:** Because of continuing product improvements, Maytag reserves the right to change specifications without notice. For complete details, see the installation instructions packed with your product before selecting cabinetry, making cutouts or beginning installation.

## WHAT YOU NEED TO KNOW ABOUT SAFETY INSTRUCTIONS

Warning and Important Safety Instructions appearing in this manual are not meant to cover all possible conditions and situations that may occur. Common sense, caution, and care must be exercised when installing, maintaining or operating appliance.

Always contact your dealer, distributor, service agent, or manufacturer about problems or conditions you do not understand.

## RECOGNIZE SAFETY SYMBOLS, WORDS, LABELS

### WARNING

Hazards or unsafe practices which **COULD** result in severe personal injury or death.

### CAUTION

Hazards or unsafe practices which **COULD** result in minor personal injury.

### WARNING

For your safety, the information in this manual must be followed to minimize the risk of fire or explosion or to prevent property damage, personal injury or death.

- Do not store or use gasoline or other flammable vapors and liquids in the vicinity of this or any other appliance.

### WHAT TO DO IF YOU SMELL GAS:

- Do not try to light any appliance.
- Do not touch any electrical switch.
- Do not use any phone in your building.
- Clear the room, building or area of all occupants.
- Immediately call your gas supplier from a neighbor's phone. Follow the gas supplier's instructions.
- If you cannot reach your gas supplier, call the fire department.

Installation and service must be performed by a qualified installer, service agency or the gas supplier.

**⚠ WARNING**

To reduce the risk of fire, electric shock or injury to persons when using the appliance, follow basic precautions, including the following:

1. Read all instructions before using the appliance.
2. Properly install and locate in accordance with the Installation Instructions.
3. Connect to a properly rated, protected and sized power supply circuit. See Electrical Requirements.
4. Have a qualified service technician install your dryer.
5. Should anyone get an electric shock from the dryer, disconnect the electrical power. DO NOT operate until it has been repaired by a qualified service technician.
6. To avoid the possibility of fire or explosion:
  - Do not dry items that have been previously cleaned in, washed in, soaked in, or spotted with gasoline, dry-cleaning solvents, other flammable or explosive substances as they give off vapors that could ignite or explode. Any material on which you have used a cleaning solvent, or which is saturated with flammable liquids or solids, should not be placed in the dryer, until all traces of these flammable liquids or solids and their fumes have been removed. There are many highly flammable items used in homes, such as: acetone, denatured alcohol, gasoline, kerosene, some liquid household cleaners, some spot removers, turpentine, waxes and wax removers.
  - Items containing foam rubber (may be labeled latex foam) plastics, or similarly textured rubber-like materials must not be dried on a heat setting. Foam rubber materials when heated, can under certain circumstances produce fire by spontaneous combustion.
  - Keep area around and underneath dryer free from the accumulation of combustible materials, such as lint, paper, rags, gasoline and all other flammable vapors and liquids.
  - Do not allow the storage of any material to obstruct the ventilation air opening of the dryer.
  - The exhaust should be periodically examined for damage to the exhaust duct and for free operation of the exhaust deflector.
  - **For Gas Dryers:** Gas dryers are equipped to operate on natural gas only. To convert a gas dryer for other gases, the services of a qualified service technician must be obtained.
7. Do not allow children to play on or in either compartment of the drying cabinet. Close supervision of children is necessary when the appliance is used near children. When children are mature enough, instruct them in the safe, correct use of the dryer. Destroy the carton and plastic bags after unpacking the dryer.
8. Before the appliance is removed from service or discarded, remove the doors to the drying compartments.
9. Do not reach into the appliance if the drum is moving.
10. Do not install or store this appliance where it will be exposed to the weather.
11. Do not tamper with controls.
12. Do not repair or replace any part of the appliance or attempt any servicing unless specifically recommended in published user-repair instructions that you understand and have the skills to carry out.
13. Do not use fabric softeners or products to eliminate static unless recommended for dryer use by the manufacturer of the fabric softener or product.
14. Clean the lint screen before or after each load.
15. Keep the area around the exhaust opening and surrounding areas free from the accumulation of lint, dust and dirt.
16. The interior of the dryer and exhaust duct should be cleaned periodically by qualified service personnel.
17. This appliance must be properly grounded. Never plug the appliance cord into a receptacle which is not grounded adequately and in accordance with local and national codes. See installation instructions for grounding this appliance.
18. Lifetime lubrication is done at the factory, so the dryer never needs to be oiled or greased.
19. Keep pets away from dryer, and keep the dryer door closed at all times except while loading or unloading. Pets may enter the dryer unnoticed when the door is open and become entrapped when the door is closed.
20. DO NOT dry fiberglass articles unless recommended by the manufacturer.
21. Use water only in the Drying Center water bottle. See page 6.

## IMPORTANT SAFETY INSTRUCTIONS CONT.

### WARNING

Do not place into your dryer items that have been spotted or soaked with vegetable oil or cooking oil. Even after being washed, these items may contain significant amounts of these oils. The remaining oil can ignite spontaneously. The potential for spontaneous ignition increases when the items containing vegetable oil or cooking oil are exposed to heat. Heat sources, such as your clothes dryer, can warm these items, allowing an oxidation reaction in the oil to occur. Oxidation creates heat. If this heat cannot escape, the items can become hot enough to catch fire. Piling, stacking or storing these kinds of items may prevent heat from escaping and can create a fire hazard.

All washed and unwashed fabrics that contain vegetable oil or cooking oil can be dangerous. Washing these items in hot water with extra detergent will reduce, but will not eliminate, the hazard. Always use the “cool down” cycle for these items to reduce the items’ temperature. Never remove these items from the clothes dryer hot or interrupt the drying cycle until the items have run through the “cool down” cycle. Never pile or stack these items when they are hot.

### IMPORTANT SAFETY NOTICE & WARNING

The California Safe Drinking Water and Toxic Enforcement Act of 1986 (Proposition 65) requires the Governor of California to publish a list of substances known to the State of California to cause cancer or reproductive harm, and requires businesses to warn customers of potential exposures to such substances.

Users of this appliance are hereby warned that the burning of gas can result in low-level exposure to some of the listed substances, including benzene, formaldehyde and soot, due primarily to the incomplete combustion of natural gas or liquid petroleum (LP) fuels. Exhaust ducts should be kept free of obstructions and properly exhausted dryers will minimize exposure.

## SAVE THESE INSTRUCTIONS

# DRYER EXHAUST TIPS

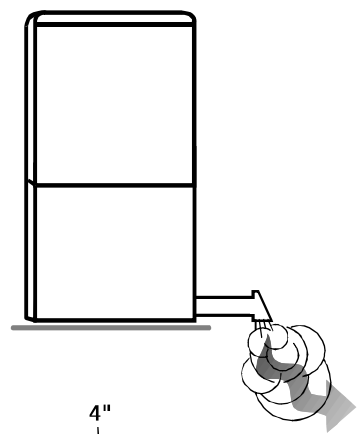
**⚠️WARNING:** Plastic or nonmetal flexible duct presents a potential fire hazard.

## Do

**Read the installation instructions and the use and care guide.**

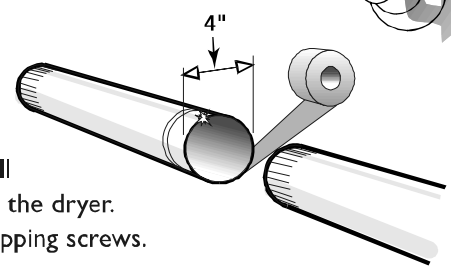
## Do

Let your dryer exhaust the air easily.



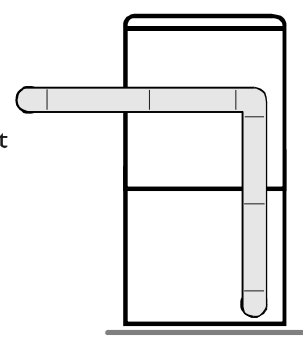
## Do

Use 4 inch diameter rigid metal duct. Tape all joints, including at the dryer. Never use lint-trapping screws.



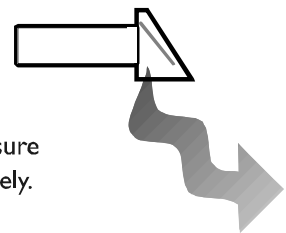
## Do

Keep duct runs as straight as possible.



## Do

Clean all old ducts before installing your new dryer. Be sure vent flap opens and closes freely. Inspect and clean the exhaust system annually.

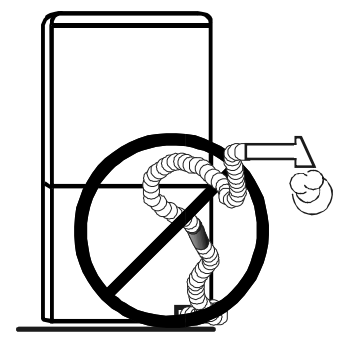


## DON'T

**Let a poor exhaust system cause slow drying.**

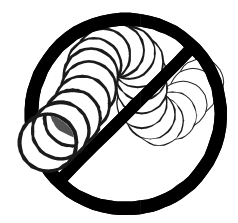
## DON'T

Restrict your dryer with a poor exhaust system.



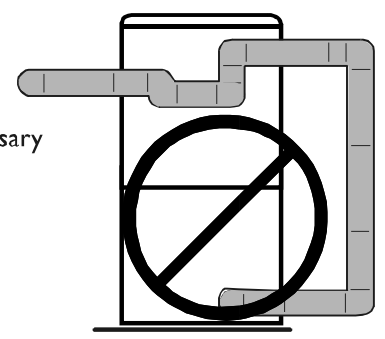
## DON'T

Use plastic, thin foil, or non-metal flexible duct.



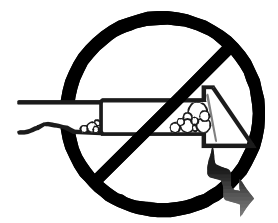
## DON'T

Use longer than necessary duct runs with many elbows.



## DON'T

Allow crushed or clogged ducts and vent.





# USING THE CONTROLS - UPPER DRYING CABINET

**NOTE:** The Upper Drying Cabinet and Lower Tumble Dryer can be used at the same time.

## Step 1 Select a Cycle

Select the cycle by pressing the appropriate pad. Recommended options will also illuminate.

**Dry Wet Clothes** – use for drying items that have been washed such as sweaters, lingerie, tennis shoes, jeans, shirts, slacks or sweatshirts. Items can be placed on shelves or on hangers.



**Refresh Dry Clothes** – use this cycle to freshen and remove odors from clean, dry clothes. Items can be placed on racks or on hangers. For best performance, the **Wrinkle Release Hang Dry Only** and **Remove Odor** options are automatically selected. **Add Fragrance** can also be selected if desired. The temperature should be set on Low.

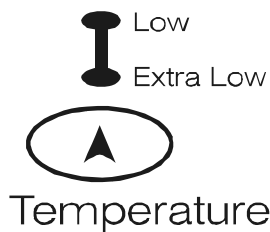


## Step 2 Select the Temperature

Select the appropriate temperature by pressing the ▲ pad.

**Low** – the low temperature is recommended for most loads. Approximately 140° F.

**Extra Low** – use for delicate or hand wash items and for fragrancing. Approximately 110° F.



## Step 3 Select Drying Time

Select the drying time for the load by pressing the ▲ or ▼ pads. Press or press and hold to set the time. The cycle time can be set from 40 minutes to six hours depending on the cycle, temperature and options selected.



Cycle	Options	Load Size	Approx. Time (Hrs)
Drying Wet Clothes	None Selected	Large	5
		Medium	3
		Small	1
	Wrinkle Release	Large	5
Medium	3		
Small	2		
Remove Odor	Add Fragrance	Large	5
		Medium	4
		Small	3
Refresh Dry Clothes	Wrinkle Release	Large	5
		Medium	3
		Small	1
	Remove Odor	Large	3
		Medium	2
		Small	1
Add Fragrance	Large	4	
	Medium	3	
	Small	2	
Add Fragrance	Large	2	
	Medium	1	
	Small	1	

## Step 4 Select Options

**Wrinkle Release Hang Dry Only** – use for hanging items that need wrinkle removal such as jeans, shirts or slacks. The hanging bar will sway to aid in wrinkle removal.

**Remove Odor** – Use with any cycle to freshen and remove odors from clean, dry clothes. This option is automatically selected with the Refresh Dry Clothes cycle.

**Add Fragrance** – Use as desired with any cycle.



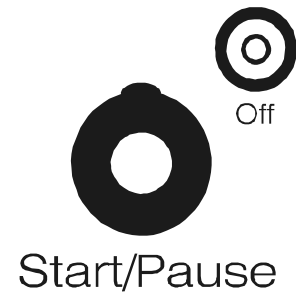
Options

## Step 5 Start the Drying Cabinet

Start the drying cycle by pressing the **Start/Pause** pad. To interrupt the cycle, press the **Start/Pause** pad again. After 4 hours in pause, the cycle will be cancelled. Pressing **Off** turns the drying cabinet off and cancels the cycle.

### NOTES:

- Close the left side door first.
- If the door is not closed, "do" will appear in the display. Close the door and restart.



### TIME DISPLAY

- Time set will count down in one minute increments.
- If the door is opened during a cycle, an additional ten minutes will be added to the cycle time to recover the loss of humidity and temperature.



Time Remaining

### INDICATOR LIGHTS - CYCLE STATUS

- The cycle status indicator lights will illuminate as the drying cabinet reaches that part of the cycle. If no options are selected, the **Steam** cycle status light will not illuminate.
- **Scent Treat** will not illuminate if Remove Odor and Add Fragrance are not selected.
- **Complete** illuminates when the cycle is finished. It will stay illuminated until the door is opened or another cycle is selected.



### WATER BOTTLE/DRYER SHEET CADDY

#### WATER BOTTLE

For optimum wrinkle release, odor removal and fragrancing, **always** use water with the drying cabinet cycles.

#### To refill:

Remove water bottle from the reservoir by grasping the bottom of the bottle and gently tipping it out and down. Tip the bottle to its upright position while holding the lid over the water reservoir.

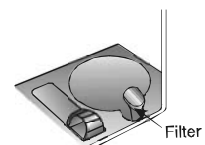
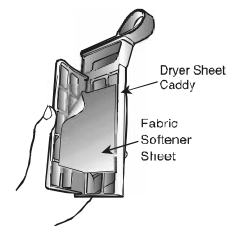
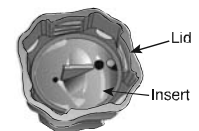
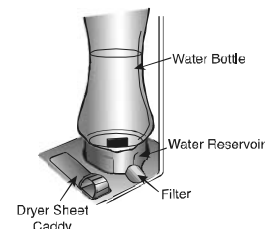
Unscrew the water bottle lid. Fill with **TAP OR DISTILLED WATER ONLY**. Make sure the lid insert is seated in the water bottle lid, then replace lid on the bottle. Replace the water bottle in the reservoir. To avoid excess dripping, keep the bottle upright until the lid is over the reservoir.

#### DRYER SHEET CADDY

For best results, start each load with a new fabric softener sheet.

#### To replace sheet:

Remove Dryer Sheet Caddy from compartment. Open the grid cover. Fold a new sheet into the caddy. Replace caddy into slot in compartment.



### NOTES:

- **Use water only.**
- It is normal for a small amount of water to pool in the water bottle reservoir.
- The water reservoir should be cleaned periodically. See Care and Cleaning, page 12.
- **DO NOT** put any oils, chemicals or liquids other than water into the water bottle.
- **DO NOT** use "ironing water".
- In areas with hard water (15 gpg\*), distilled water is recommended.

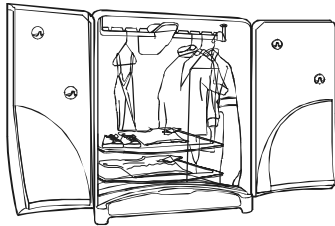
\*Your local water utility or state university extension service can tell you the degree of water hardness in your area.

**IMPORTANT:** The filter must always be in place when the Upper Drying Cabinet is in use.

# SPECIAL LAUNDRY TIPS FOR THE UPPER DRYING CABINET

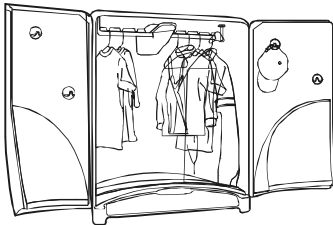
Please follow the care label or manufacturer's instructions for drying special items. If care label instructions are not available, use the following information as a guide.

## General Recommendations



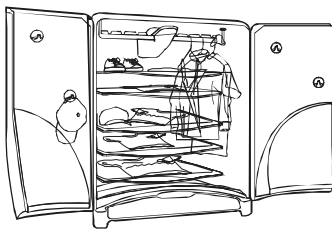
- The drying cabinet and the lower tumble dryer can be used at the same time.
- Close left side door first.
- Items can be loaded into the drying cabinet in any combination.
- Button clothes or close zippers when placing items on shelf or hangers.
- When placing hand-washed items in the cabinet, be sure excess moisture has been removed to avoid water dripping. Roll in a bath towel or wring well before placing in the cabinet.
- When hanging items on door hooks, make sure the item does not hang below bottom of doors.
- Hangers provided with the drying cabinet can be hung on a standard closet rod.
- Do not hang items on shelf rods.

## Loading - Hanging



- Use the hangers provided with the drying cabinet or plastic hangers. Do not use wire hangers.
- DO NOT place more than one hanger in each slot on the bar.
- When using the Dry Wet Clothes cycle, separate light colors from dark colors by at least three spaces on the hanging rod to prevent color transfer.
- DO NOT place more than 17 lbs. on the hanging rod at one time.

## Loading - Laying Flat



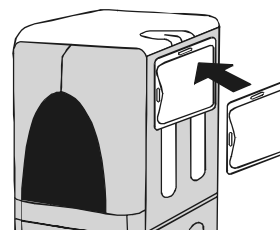
- Try to avoid excessive overlapping of items like sleeves or pants legs. Overlapping results in longer drying times.
- DO NOT load more than 5 lbs. on one shelf.
- DO NOT load more than 5 lbs. on the curved top surface of the lower dryer.
- Use care when removing articles from the mesh shelves. Zippers or decorative beading, trims, etc. could catch on the mesh.

## INSTALLING SHELVES

- Align the right side of the shelf with the shelf rod.
- Place the left side of the shelf on the shelf rail.
- Slide the shelf back into place.

## SHELF STORAGE

- Store shelves on either side of the cabinet when not in use.



## OPERATING TIPS - LOWER TUMBLE DRYER

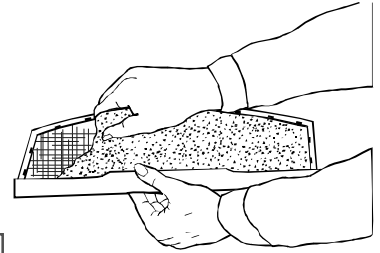
### NOTE:

- The Lower Tumble Dryer and the Upper Drying Cabinet may be operated at the same time.

### CLEAN THE LINT FILTER

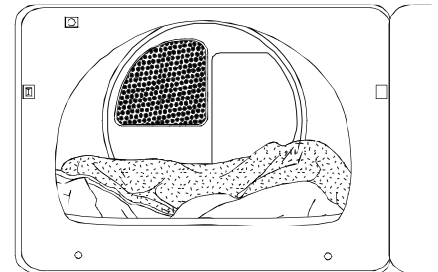
- After each load.
- To shorten drying time.
- To operate more energy efficiently.

**NOTE:** Do not operate the dryer without the lint filter in place.



### LOAD THE DRYER PROPERLY

- By placing only one wash load in the dryer at a time.
- Avoid very small loads or mixing heavyweight and lightweight clothes.
- When only one or two articles need drying, add a few similar items to improve tumbling and drying efficiency.
- When drying large, bulky items such as a blanket or comforter, it may be necessary to reposition the load during the cycle to ensure even drying.



### ADD A FABRIC SOFTENER SHEET (IF DESIRED)

- After loading the dryer.
- To control static cling.
- Before the load becomes warm. This helps prevent greasy-looking softener stains.
- And remove any used softener sheets from the dryer to prevent greasy-looking softener stains.

# USING THE CONTROLS - LOWER TUMBLE DRYER

## Step 1 Select a Cycle

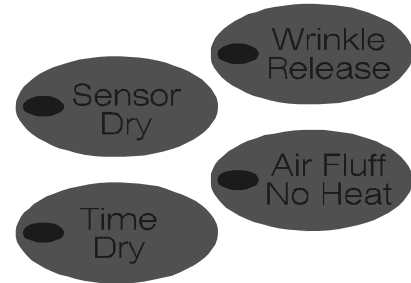
Select the dry cycle by pressing the appropriate pad.

**Sensor Dry** – automatically senses the moisture in the load and shuts the dryer off when the selected dryness level (very dry to damp dry) is reached. This cycle is recommended for the majority of loads including delicates, wrinkle free and cotton/sturdy items like towels, bedding and jeans.

**Time Dry** – may be selected for any load if Sensor Dry is not used. Press the ▼ or ▲ time pad to select the desired number of minutes.

**Wrinkle Release** – will release wrinkles from items that are clean and dry but slightly wrinkled, such as from a crowded closet, packed suitcase or from sitting in the dryer too long after the end of the cycle. It provides 8 minutes of heated tumbling and 10 minutes of cool down tumbling without heat.

**Air Fluff/No Heat** – tumbles in room temperature air. Press the ▼ or ▲ time pad to select the desired number of minutes.



## Step 2 Select the Temperature

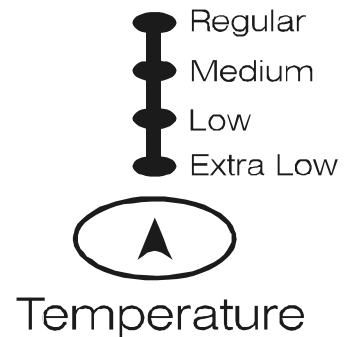
There are four temperature settings. Press the ▲ pad to select regular, medium, low or extra low temperatures.

**Regular** – for sturdy cottons or those labeled “Tumble Dry.” Approximately 150° F.

**Medium** – for permanent press, synthetics, lightweight cottons or items labeled “Tumble Dry Medium.” Approximately 145° F.

**Low** – for heat sensitive items labeled “Tumble Dry Low” or “Tumble Dry Warm.” Approximately 140° F.

**Extra Low** – provides the lowest heated dry temperature possible for very delicate or hand wash items. Approximately 125° F.



## Step 3 Select Dryness Level

When Sensor Dry is selected, use the ▼ and ▲ pads to select the dryness level. When Time Dry is selected, use the ▼ and ▲ pads to set drying time in one minute increments. Hold the ▼ or ▲ pads to increase or decrease time in 10 minute increments.

**Very Dry** – used to completely dry sturdy or bulky items including towels and jeans.

**More Dry** – used for drying t-shirts, underwear and socks.

**Normal Dry** – used for drying the majority of loads.

**Damp Dry** – designed to partially dry items.



Time Remaining



## Step 4 Select Options (if desired)

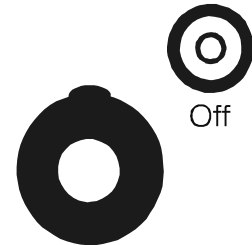
**Wrinkle Prevent** – use with any cycle to prevent wrinkles. Provides 20 minutes of continuous tumbling and 95 minutes of intermittent tumbling in room temperature air following the completion of the cycle. The load can be removed anytime during Wrinkle Prevent.

**Damp Dry Signal** – an audible signal will sound when load has reached the damp dry level in any cycle.



## Step 5 Start the Lower Tumble Dryer

**Start/Pause** – close the door and press the **Start/Pause** pad to start the dryer. To interrupt the cycle, press the **Start/Pause** pad again. After 4 hours in pause, the cycle will be cancelled. Pressing **Off** cancels the cycle and stops the dryer.



Start/Pause

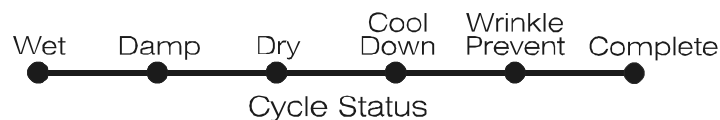
### ESTIMATED TIME DISPLAY

- After pressing **Start/Pause**, the display will show the estimated time remaining in the cycle.




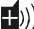
Time Remaining

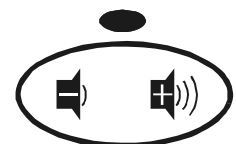
### INDICATOR LIGHTS - CYCLE STATUS



- The indicator lights below the dryness levels will light when the dryer is in that part of the cycle.
- The **Cool Down** indicator light will illuminate when the dryer moves into the cool-down portion of the cycle.
- If the **Wrinkle Prevent** option has been selected, the **Wrinkle Prevent** light will illuminate to indicate that the load is dry and the dryer has moved into the wrinkle prevent portion of the cycle. The display will show "1:35" when the dryer goes into **Wrinkle Prevent**.
- **Complete** light will illuminate when the cool down portion of the cycle is completed. If **Wrinkle Prevent** has been selected, both **Wrinkle Prevent** and **Complete** lights will illuminate. The **Complete** indicator will remain illuminated until the door is opened or another cycle is selected.

### SIGNAL VOLUME

The volume of the dryer signal is adjustable. Press  to lower the volume. Press  to increase the volume.



Signal



## SPECIAL LAUNDRY TIPS FOR THE LOWER TUMBLE DRYER

Please follow the care label or manufacturer's instructions for drying special items. If care label instructions are not available, use the following information as a guide.

<b>Bedspreads &amp; Comforters</b>	<ul style="list-style-type: none"> <li>• Follow the care label instructions or dry on the Sensor Dry cycle and Regular temperature.</li> <li>• Be sure the item is thoroughly dry before using or storing.</li> <li>• May require repositioning to ensure even drying.</li> </ul>
<b>Blankets</b>	<ul style="list-style-type: none"> <li>• Use Sensor Dry and dry only one blanket at a time for best tumbling action.</li> <li>• Be sure the item is thoroughly dry before using or storing.</li> </ul>
<b>Curtains &amp; Draperies</b>	<ul style="list-style-type: none"> <li>• Use the Sensor Dry cycle and Extra Low temperature to help minimize wrinkling.</li> <li>• Dry these in small loads for best results and remove as soon as possible.</li> </ul>
<b>Cloth Diapers</b>	<ul style="list-style-type: none"> <li>• Use Sensor Dry and the Regular temperature setting for soft, fluffy diapers.</li> </ul>
<b>Down-filled Items</b> (jackets, sleeping bags, comforters, etc.)	<ul style="list-style-type: none"> <li>• Use Sensor Dry and the Extra Low temperature setting.</li> <li>• Place a clean pair of sneakers in the dryer with the item to fluff the down comforters, etc. Adding a couple of dry towels shortens dry time and absorbs moisture.</li> </ul>
<b>Foam Rubber</b> (rug backs, stuffed toys, shoulder pads, etc.)	<ul style="list-style-type: none"> <li>• DO NOT dry on a heat setting. Use the Air Fluff/No Heat cycle.</li> <li>• <b>⚠ WARNING</b> – Drying a rubber item with heat may damage it or be a fire hazard.</li> </ul>
<b>Pillows</b>	<ul style="list-style-type: none"> <li>• DO NOT dryer-dry kapok or foam pillows.</li> <li>• Use Sensor Dry.</li> <li>• Add a couple of dry towels and a pair of clean sneakers to help the tumbling action and to fluff the item.</li> </ul>
<b>Plastics</b> (shower curtains, outdoor furniture covers, etc.)	<ul style="list-style-type: none"> <li>• Use the Air Fluff/No Heat cycle or Time Dry and the Extra Low temperature setting depending on the care label instructions.</li> </ul>

### AVOID DRYER DRYING

- Fiberglass items (curtains, draperies, etc.)
- Woolens, unless recommended on the label.
- Vegetable or cooking oil soaked items. (See pg. 3)



## CARE AND CLEANING

**Control Panel** – clean with a soft, damp cloth. Do not use abrasive substances. Do not spray cleaners directly on the panel.

**Tumbler** – remove any stains such as crayon, ink pen or fabric dye (from new items such as towels or jeans) with an all-purpose cleaner. Then tumble old towels or rags to remove any excess stain or cleaning substance. Once these steps are done, stains may still be visible, but should not transfer to subsequent loads.

**Cabinet** – wipe off any marks with soap and water.

**Drying Cabinet Interior** – clean with soft, damp cloth. Do not use abrasive substances. Clean the right side of the drying cabinet interior with a dusting wand or vacuum with upholstery attachment.

**Dryer Exhaust System** – should be inspected and cleaned once a year to maintain optimum performance. The outside exhaust hood should be cleaned more frequently to ensure proper operation. (Refer to the Installation Instructions for more information.)

**Water Reservoir** – clean with soap and water and a soft cloth. Rinse and dry thoroughly.

**Water Reservoir Filter** – Lift filter out of slot. Clean with soap and water and a soft brush. Rinse and dry thoroughly.

**Water Bottle, Lid and Lid Insert** – clean with soap and water. Rinse thoroughly.

## REPLACE DRUM LIGHT

### Instructions for replacing the bulb:

- 1) Unplug or disconnect the dryer from the power supply.
- 2) Remove lens cover from inside of drum by removing the two screws.
- 3) Push bulb in and rotate counterclockwise to remove.
- 4) Replace with a 25 watt, 115/125 volt twist lock utility light Part No. 53-0570 or equivalent. Place bulb in socket, push in and rotate clockwise.
- 5) Reinstall lens cover and two screws.
- 6) Reconnect dryer to power supply.

## REPLACE DRYING CABINET LIGHT

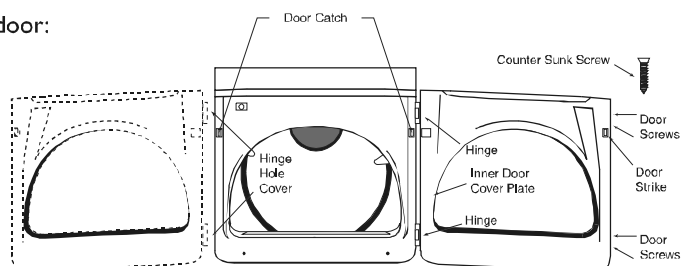
### Instructions for replacing the bulb:

- 1) Unplug or disconnect the dryer from the power supply.
- 2) Squeeze sides of lens cover to remove.
- 3) Rotate bulb counterclockwise to remove.
- 4) Replace with a 120 volt, 10 watt maximum candelabra-base light bulb.
- 5) Snap lens cover back into place.
- 6) Reconnect dryer to power supply.

## REVERSE THE DOOR

### Instructions for reversing the dryer door:

- 1) Remove two screws from each hinge hole cover and remove hinge hole covers.
- 2) While supporting the door, remove screws that secure the hinges to the cabinet (two each).
- 3) Move the following parts to the opposite side of the door: two hinges, four hinge screws, four door screws, door strike and screw, inner door cover plate and screw.
- 4) Attach the door to the opposite side of the cabinet using the four counter sunk hinge screws. (See below).
- 5) Replace the hinge hole covers to the opposite side.



# TROUBLESHOOTING - UPPER DRYING CABINET

## CHECK THESE POINTS IF YOUR MAYTAG NEPTUNE® DRYING CABINET...

<b>Doesn't Run</b>	<ul style="list-style-type: none"> <li>• Be sure the doors are latched shut.</li> <li>• Be sure the power cord is plugged into a live electrical outlet.</li> <li>• Check the home's circuit breaker and fuses.</li> <li>• Push the <b>Start/Pause</b> pad again if the door is opened during the cycle.</li> </ul>
<b>Doesn't Heat</b>	<ul style="list-style-type: none"> <li>• Check the home's circuit breaker and fuses.</li> <li>• The drying cabinet timer may have moved into the cool-down portion of the cycle.</li> <li>• Check the lower right hand corner of the drying cabinet for obstructions.</li> <li>• Check that a large item is not blocking the air vents on the back wall.</li> </ul>
<b>Doesn't Dry</b>	<ul style="list-style-type: none"> <li>• Check all of the above, plus...</li> <li>• Check that the doors are properly closed.</li> <li>• Remove excess moisture from items before placing in drying cabinet.</li> <li>• Do not overload. Do not hang more than one item on a hanger or place more than one hanger in each slot on the bar.</li> <li>• Sort heavy items from lightweight items.</li> <li>• Check that the washer is draining properly to extract adequate water from the load.</li> </ul>
<b>Is Noisy</b>	<ul style="list-style-type: none"> <li>• Zippers or heavy buttons may tap the sides of the cabinet.</li> <li>• It is normal to hear the sound of water contacting the heater when any of the options are selected.</li> <li>• Be sure the dryer is leveled properly as outlined in the installation manual.</li> </ul>
<b>Dries Unevenly</b>	<ul style="list-style-type: none"> <li>• Seams, pockets and other similar heavy areas may not be completely dry when the rest of the load has reached the selected dryness level. This is normal.</li> <li>• If one heavy item is dried with a lightweight load, such as a sweater with dress shirts, it is possible that the heavy item will not be completely dry when the rest of the load has been dried. Sort heavy items from lightweight items for best drying results.</li> <li>• Avoid overlapping items when laying flat to dry.</li> <li>• Do not hang more than one hanger in each slot on the bar.</li> <li>• Do not place more than one large item (such as a sweater) on each shelf.</li> </ul>
<b>Has an Odor</b>	<ul style="list-style-type: none"> <li>• Natural fibers such as wool or silk may have an odor when drying.</li> <li>• Household odors such as from painting, varnishing, strong cleaners, etc. may enter the dryer with the surrounding room air. This is normal as the dryer draws the air from the room, heats it, pulls it through the tumbler and exhausts it to the outside. When these odors are present in the air, ventilate the room completely before using the dryer.</li> </ul>
<b>Clothes are Wrinkled</b>	<ul style="list-style-type: none"> <li>• Use the hangers provided with the drying cabinet or plastic hangers. Do not use wire hangers.</li> <li>• Use water in the water bottle when any option is selected.</li> <li>• Linen and 100% cotton items may retain more wrinkles.</li> </ul>
<b>Water Marks on Clothes</b>	<ul style="list-style-type: none"> <li>• Check that the washer is draining properly to extract adequate water from the load.</li> <li>• Wring out or roll hand wash items in bath towels to remove excess water. Place in cabinet to avoid dripping on other items in the load.</li> </ul>
<b>Is Not Using Water</b>	<ul style="list-style-type: none"> <li>• Water bottle lid insert may need to be cleaned. See page 12.</li> <li>• Water reservoir filter may be plugged or dirty. See page 12.</li> </ul>
<b>Causes Excess Humidity</b>	<ul style="list-style-type: none"> <li>• The humidity in the area around the Drying Center may rise when the Wrinkle Release, Remove Odor or Add Fragrance options are used. Water is used during the cycle with these options and some of that moisture escapes from the dryer.</li> </ul>

# TROUBLESHOOTING - LOWER TUMBLE DRYER

## CHECK THESE POINTS IF YOUR MAYTAG NEPTUNE® TUMBLE DRYER...

<p><b>Doesn't Run</b></p>	<ul style="list-style-type: none"> <li>• Be sure the door is latched shut.</li> <li>• Be sure the power cord is plugged into a live electrical outlet.</li> <li>• Check the home's circuit breaker and fuses.</li> <li>• Push the <b>Start/Pause</b> pad again if the door is opened during the cycle.</li> </ul>
<p><b>Doesn't Heat</b></p>	<ul style="list-style-type: none"> <li>• Check the home's circuit breaker and fuses.</li> <li>• Select a heat setting, not air fluff.</li> <li>• On a gas dryer, check that the gas supply is on.</li> <li>• Clean the lint filter and exhaust duct.</li> <li>• Dryer timer may have moved into the cool-down portion of the cycle.</li> </ul>
<p><b>Doesn't Dry</b></p>	<ul style="list-style-type: none"> <li>• Check all of the above, plus...</li> <li>• Be sure the exhaust hood at the outside of the home can open and close freely.</li> <li>• Check exhaust system for lint build-up. Ducting should be inspected and cleaned annually.</li> <li>• Use 4" rigid metal exhaust duct.</li> <li>• Do not overload. 1 Wash load = 1 Dryer load.</li> <li>• Sort heavy items from lightweight items.</li> <li>• Large, bulky items like blankets or comforters may require repositioning to ensure even drying.</li> <li>• Check that the washer is draining properly to extract adequate water from the load.</li> <li>• Clothes load too small to tumble properly. Add a few towels.</li> <li>• Longer drying times may be noticed when using both the upper and lower sections.</li> </ul>
<p><b>Is Noisy</b></p>	<ul style="list-style-type: none"> <li>• Check the load for objects such as coins, loose buttons, nails, etc. Remove promptly.</li> <li>• It is normal to hear the dryer gas valve or heating element cycle on and off during the drying cycle.</li> <li>• Be sure the dryer is leveled properly as outlined in the installation instructions.</li> </ul>
<p><b>Dries Unevenly</b></p>	<ul style="list-style-type: none"> <li>• Seams, pockets and other similar heavy areas may not be completely dry when the rest of the load has reached the selected dryness level. This is normal. Select the "Very Dry" setting if desired.</li> <li>• If one heavy item is dried with a lightweight load, such as one towel with sheets, it is possible that the heavy item will not be completely dry when the rest of the load has reached the selected dryness level. Sort heavy items from lightweight items for best drying results.</li> </ul>
<p><b>Has an Odor</b></p>	<ul style="list-style-type: none"> <li>• Household odors such as from painting, varnishing, strong cleaners, etc. may enter the dryer with the surrounding room air. This is normal as the dryer draws the air from the room, heats it, pulls it through the tumbler and exhausts it to the outside. When these odors are present in the air, ventilate the room completely before using the dryer.</li> </ul>
<p><b>"PF" appears in the Display</b></p>	<ul style="list-style-type: none"> <li>• The dryer has experienced a power failure. Press "Off", then restart the cycle.</li> </ul>

# DRYING CENTER WARRANTY

## Full One Year Warranty

For one (1) year from the date of original retail purchase, any part which fails in normal home use will be repaired or replaced free of charge.

## Limited Warranty

After the first year from date of original retail purchase, through the time periods listed below, the parts designated below which fail in normal home use will be repaired or replaced free of charge for the part itself, with the owner paying all other costs, including labor, mileage, transportation, trip and diagnostic charges.

**Second Year** – All parts, (excluding hangers).

**Third Through Fifth Year** – All parts of the solid state controls (if so equipped). All parts of the clothes hanger bar.

## Additional Limited Warranty Against Rust-Through

Should an exterior cabinet, including the door, tumbler and tumbler front and back, rust through during the one year period starting from the date of retail purchase, repair or replacement will be made free of charge. After the first and through the tenth year, repair or replacement will be made free of charge for the part itself, with the owner paying all other costs, including labor, mileage, transportation, trip and diagnostic charges.

**Please Note:** This full warranty and the limited warranties apply when the dryer is located in the United States or Canada. Dryers located elsewhere are covered by the limited warranties only, including parts which fail during the first year.

## Canadian Residents

This warranty covers only those dryers installed in Canada that have been listed with Canadian Standards Association unless the dryers are brought into Canada due to transfer of residence from the United States to Canada.

The specific warranties expressed above are the ONLY warranties provided by the manufacturer. This warranty gives you specific legal rights, and you may also have other rights that vary from state to state.

## To Receive Warranty Service

To locate an authorized service company in your area contact the Maytag dealer from whom your appliance was purchased; or call Maytag Services<sup>SM</sup>, Maytag Customer Assistance at the number listed below. Should you not receive satisfactory warranty service, please call or write:

Maytag Services<sup>SM</sup>  
Attn: CAIR<sup>®</sup> Center

P.O. Box 2370  
Cleveland, TN 37320-2370

**U.S. or Canada (toll-free) 1-888-462-9824**

**U.S. customers using TTY for deaf, hearing impaired or speech impaired, call 1-800-688-2080.**

When contacting Maytag Services<sup>SM</sup>, Maytag Customer Assistance about a service problem, please include the following:

- (a) Your name, address and telephone number.
- (b) Model number and serial number (found on the lower center of the door opening) of your appliance.
- (c) Name and address of your dealer and the date the appliance was purchased.
- (d) A clear description of the problem you are having.
- (e) Proof of purchase.

## What is not covered by these warranties:

1. Conditions and damages resulting from any of the following:
    - a. Improper installation, delivery, or maintenance.
    - b. Any repair, modification, alteration or adjustment not authorized by the manufacturer or an authorized servicer.
    - c. Misuse, abuse, accidents, or unreasonable use.
    - d. Incorrect electric current, voltage or supply.
    - e. Improper setting of any control.
  2. Warranties are void if the original serial numbers have been removed, altered, or cannot be readily determined.
  3. Light bulbs.
  4. Products purchased for commercial or industrial use.
  5. The cost of service or service call to:
    - a. Correct installation errors.
    - b. Instruct the user on proper use of the product.
    - c. Transport the appliance to the servicer.
  6. Consequential or incidental damages sustained by any person as a result of any breach of these warranties.
- Some states do not allow the exclusion or limitation of consequential or incidental damages, so the above exclusion may not apply.

Use and Care Guides, service manuals and parts catalogs are available from  
Maytag Services<sup>SM</sup>, Maytag Customer Assistance.

**Maytag • 403 West Fourth Street North • P. O. Box 39 • Newton, Iowa 50208**

